

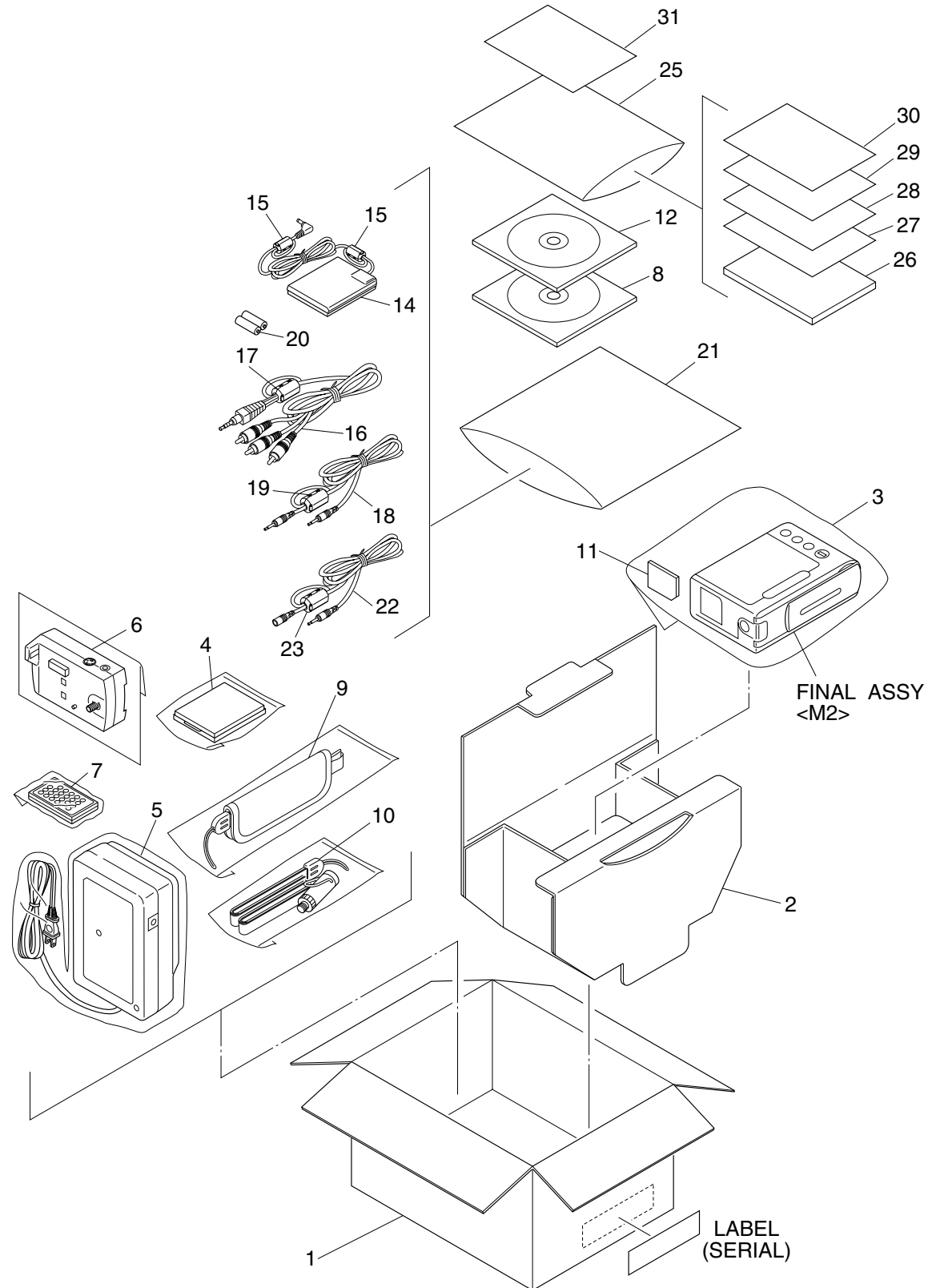
SECTION 5 PARTS LIST

SAFETY PRECAUTION

Parts identified by the symbol are critical for safety. Replace only with specified part numbers.

5.1 PACKING AND ACCESSORY ASSEMBLY <M1>

The instruction manual to be provided with this product will differ according to the destination.



REF No. PART No. PART NAME, DESCRIPTION

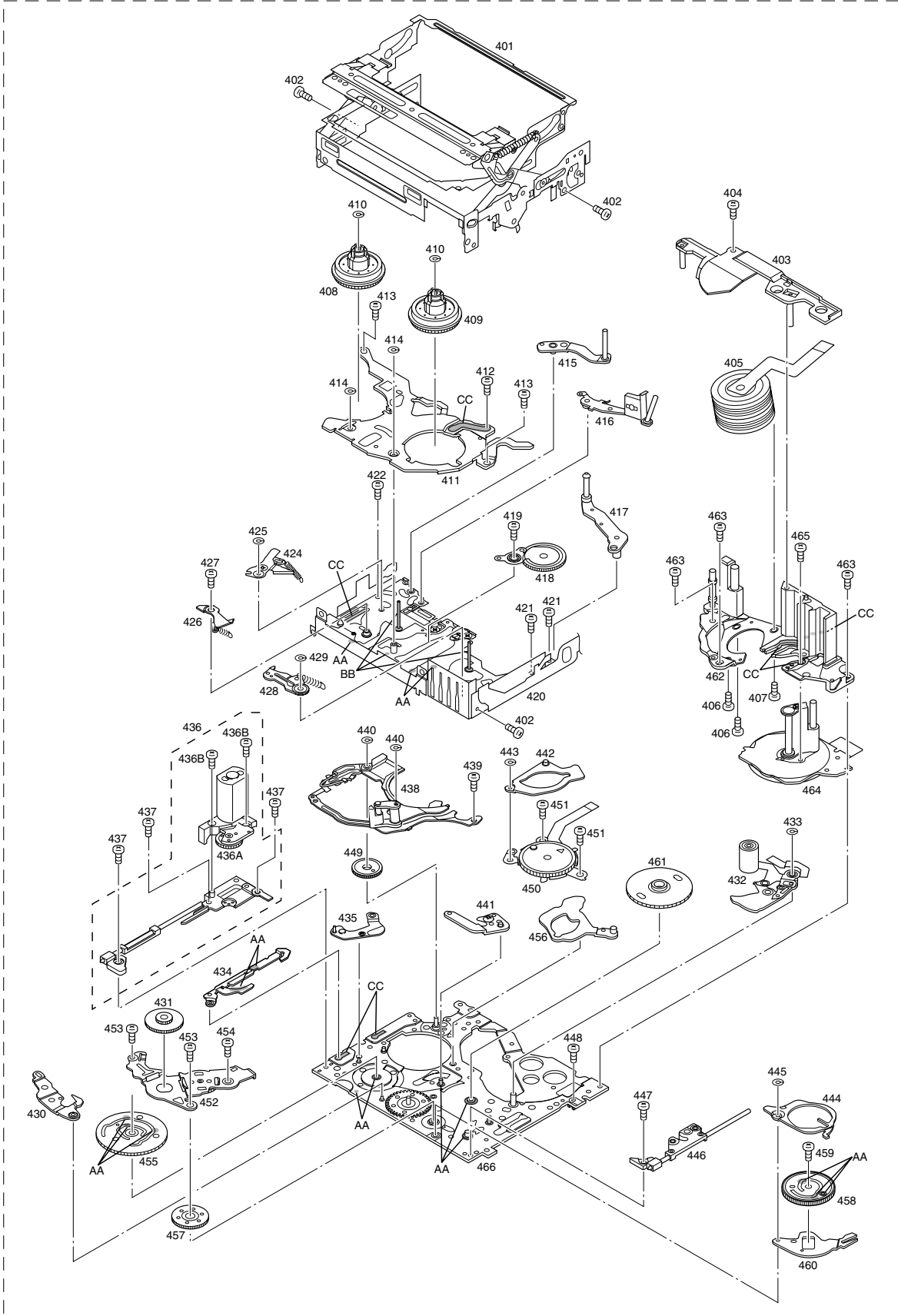
PACKING AND ACCESSORY ASSEMBLY <M1>

1	LY32275-001A	PACKING CASE	
2	LY20763-001A	CUSHION	
3	LY30023-003A	POLY BAG	
	4	LY32203-001A	BATTERY PACK,BN-V107U
	5	LY20754-001B	AC POWER ADAPTER/CHARGER,AA-V100U
6	LY20755-001B	DOCKING STATION,CU-V507U	
7	LY20750-001A	REMOTE CONTROL UNIT,RM-V717U	
8	LY32210-004A	CD ROM	
9	LY20762-001B	GRIP BELT	
10	LY20765-001B	STRAP	
11	QAM0342-002	MEMORY CARD	
12	LY32210-009A	CD ROM	
14	LY32226-001A	DC CORD	
15	QQR0491-002	CORE FILTER,X2	
16	QAM0346-001	CABLE ASSY,AUDIO/VIDEO CABLE	
17	QQR0918-002	CORE FILTER	
18	PEAC0428-150	CABLE ASSY,EDITING CABLE	
19	QQR0491-002	CORE FILTER	
20	-	BATTERY,AAA(R03),X2	
21	QPA01703005	POLY BAG	
22	QAM0213-001	AUDIO CABLE	
23	QQR1081-002	CORE FILTER	
25	QPA02003006	POLY BAG	
	26	LYT0795-001A	INST.BOOK(EN)
		LYT0795-002A	INST.BOOK(FR)
		LYT0795-003A	INST.BOOK(SP)
	27	LYT0738-001C	INST.BOOK(SOFT.3LANG)
28	LYT0378-003A	SHEET(AGREMENT)	
29	YU10350	Q.CARD(JCA)	
30	BT-51005-4	WARRANTY INF.	
31	BT-51020-2	REGIST.CARD	

- INSTRUCTIONS
- EN ENGLISH
- FR FRENCH
- SP SPANISH

#	△	REF No.	PART No.	PART NAME, DESCRIPTION	#	△	REF No.	PART No.	PART NAME, DESCRIPTION

FINAL ASSEMBLY <M2>									
101			LY20759-001A	COVER(MIC)	193A			LY30029-0K9A	SPACER(A)
102			LY30018-0A3A	SPECIAL SCREW,X2	193B			LY30029-0N1A	SPACER(A)
103			LY30018-0A2A	SPECIAL SCREW	193C			LY30002-038A	COMPRESSION SPRING
104			LY30029-0L7A	SPACER(A),X2	193D			LY30029-0M9A	SPACER(A)
105			LY43164-001A	SHEET(MIC)	194			LY30018-031A	SPECIAL SCREW,X2
106			LY43106-001B	S.PLATE(B)ASSY	195			LY31998-002A	HOT SHOE
107			LY43063-001A	TORSION SPRING	196			QAL0336-001	FPC,AUDIO CN202-HOT SHOE
108			LY30018-0D2A	SPECIAL SCREW,X2	197			LY32262-001A	BRACKET(H.S)
109			LY32260-001C	KNOB(SHUTTER)	198			LY30018-081A	SPECIAL SCREW,X4
110			LY30002-022A	COMPRESSION SPRING	199			LY30018-081A	SPECIAL SCREW,X3
111			LY32228-001B	COVER(UNDER)	200			LY30018-055A	SPECIAL SCREW,X4
112			LY30018-0A2A	SPECIAL SCREW	201			LY30018-065A	SPECIAL SCREW
113			LY30029-0P1A	SPACER(A),X2	202			LY32197-001C	MICROPHONE
114			LY43102-001C	COVER(SHUT)ASSY	203			LY32247-001A	COVER(M.ADJ)
115			LY43104-001C	GUIDE(SHUT)ASSY	204			LY30018-065A	SPECIAL SCREW
120			LY32246-001A	COVER(SHOE)	205			LY30018-055A	SPECIAL SCREW
121			LY30018-0A2A	SPECIAL SCREW,X2	206			LY20760-001B	BOTTOM COVER
122			LY30018-055A	SPECIAL SCREW	207			LY32279-001B	COVER(SD)ASSY
123			LY30029-0M4A	SPACER(A)	207A			LY32242-001B	BRACKET(SD)
124			LY43196-001A	SHEET(UPEER)	207B			LY43111-001A	SHAFT(SD.COVER)
125			LY32292-001C	UPPER CASE ASSY	207C			LY43047-001B	TORSION SPRING
125A			LY43210-002A	LABEL(UPPER)	208			LY30018-081A	SPECIAL SCREW,X2
126			LY32265-001C	GUIDE(MONI)	209			LY30029-0K5A	SPACER(A),X2
127			LY43126-001C	J.COVER(DV)ASSY	△ 210			LY43148-001A	CAUTION LABEL
128			LY30029-0P7A	SPACER(A)	211			LY32255-001B	HOOD
130			LY43064-001B	KNOB(LOCK) ASSY	212			LY43169-001A	HOLDER(SD CON)
130A			LY43081-001A	SHAFT(LOCK)	213			LY30018-0E1A	SPECIAL SCREW
130B			LY43080-001A	TOR.SPRING(LOCK)	214			LY30018-065A	SPECIAL SCREW
130C			LY43079-001A	BRACKET(LOCK)	215			LY30018-081A	SPECIAL SCREW
131			LY32198-001A	SUB OPE	216			QYSPSPT1725D	SCREW
132			LY30018-081A	SPECIAL SCREW	217			LY43084-001A	SHEET(B.COVER)
133			LY30018-063A	SPECIAL SCREW	218			LY30018-065A	SPECIAL SCREW
134			LY30018-092A	SPECIAL SCREW,X2	219			LY43216-001A	SPACER(LOW-BOTT)
135			LY43134-001A	COVER(JIG)ASSY	220			LY30029-0L3A	SPACER(A),X2
135A			LY42350-002A	FOOT	222			LY30018-081A	SPECIAL SCREW,X2
136			LY30018-055A	SPECIAL SCREW	223			LY30018-0A3A	SPECIAL SCREW
137			LY30018-031A	SPECIAL SCREW,X2	224			LY30017-027A	SPACER-B
138			LY30018-099A	SPECIAL SCREW,X2	226			LY30017-029A	SPACER-B
139			LY32253-001B	BASE	228			LY30029-0Q2A	SPACER(A)
140			LY43107-001A	SHAFT	229			LY30029-0Q5A	SPACER(A)
141			LY43224-001A	SPACER(BASE)ASSY	230			LY20757-001B	CASSETTE COVER
141A			LY43221-001A	S.SHEET(S.BASE)	231			LY32244-001B	ARM ASSY(1)
142			LY41701-004A	SHEET(CAUTION)1	232			LY30018-081A	SPECIAL SCREW
143			LY42163-002B	SHEET(CAUTION)2	233			LY30018-081A	SPECIAL SCREW
144			LY42350-001A	FOOT,X3	234			LY30018-0E3A	SPECIAL SCREW
145			LY32254-001A	BRACKET(BOTTOM)	235			LY32245-001B	ARM ASSY(2)
146			LY30018-0C3A	SPECIAL SCREW,X2	236			LY30018-081A	SPECIAL SCREW,X2
147			LY30029-0K6A	SPACER(A)	237			LY30018-081A	SPECIAL SCREW,X2
148			LY43176-001A	SHEET(UPPER)1	238			LY30018-081A	SPECIAL SCREW
149			LY43177-001A	SHEET(UPPER)2	239			LY43113-001A	SHAFT(C.COVER),X2
150			LY30018-055A	SPECIAL SCREW,X2	△ 240			LY43149-001A	SAFETY LABEL
151			LY30018-055A	SPECIAL SCREW	241			LY43055-001A	SHEET(C.COVER)
152			LY30018-065A	SPECIAL SCREW	242			LY20749-001B	OPE.COVER UNIT
153			LY30018-055A	SPECIAL SCREW	243			LY30018-065A	SPECIAL SCREW,X4
154			LY30018-019A	SPECIAL SCREW	244			LY30018-081A	SPECIAL SCREW,X2
155			LY30018-0D5A	SPECIAL SCREW,X2	245			LY30029-0L5A	SPACER(A)
156			LY43127-003A	STICKER(MONI.)	246			LY43198-001A	SHEET(OPE-SD)
165			LY43074-001A	BRACKET(MECHA)ASSY	247			LY30029-0N8A	SPACER(A)
165A			LY42796-001A	BUSH,X3	248			LY43200-001A	SHEET(ARM1)
166			LY30019-028A	SPECIAL SCREW,X3	249			LY43201-001A	SHEET(ARM2)
168			LY43190-001A	SHIELD ASSY	250			LY30018-0E3A	SPECIAL SCREW
168A			LY42189-001A	SPACER	252			LY43160-001A	SHEET(CCD PWB)
169			LY30018-005A	SPECIAL SCREW,X2	253			LY30029-0K8A	SPACER(A)
170			LY43083-001A	BRACKET(PRE-REC)	254			LY43075-001B	OP BRACKET ASSY
171			QYSPSPT1414M	SCREW	254A			LY41675-001A	RUBBER
172			LY43159-001B	SHEET(SHUTTER)	254B			LY30017-018A	SPACER(B)
173			LY32001-002A	LABEL(HOUSING)	255			LY30018-0D7A	SPECIAL SCREW
174			LY40699-002A	LABEL(PUSH)	256			LY30029-0L4A	SPACER(A)
185			LY20756-001B	LOWER CASE	- OPTICAL BLOCK SECTION -				
186			LY32239-001B	BUTTON(FUNC.)	251			J0D-101A	OPTICAL BLOCK ASSY
187			LY30018-065A	SPECIAL SCREW,X3	251A			LY32158-001A	ZOOM MOTOR
188			LY43056-001B	KNOB(FUNC.)	251B			LY32157-001A	FOCUS MOTOR
189			LY43114-001A	PLATE(C.C.HINGE)	251C			LY30727-006B	SCREW,X5
190			LY30018-081A	SPECIAL SCREW,X4	251D			LY30727-001A	SCREW,X2
191			LY43125-001A	WINDOW(W/B)ASSY	251E			LY42983-001A	OPTICAL LPF
192			LY30018-065A	SPECIAL SCREW,X2	251F			LY42948-001B	SHEET
193			LY32280-001C	BATTERY LOCK ASSY	251G			LYH40167-001A	CCD BASE ASSY
					251H			LY32162-001A	IRIS UNIT
					251J			QYSPSGU1740Z	SCREW,X2



Classification	Part No.	Symbol in drawing
Grease	KYODO-SH-P	AA
Oil	YTU94027	BB
Grease (HANARL)	RX-410R	CC

NOTE:The section marked in **AA** and **BB**, **CC** indicate lubrication and greasing areas.

▲ REF No. PART No. PART NAME, DESCRIPTION

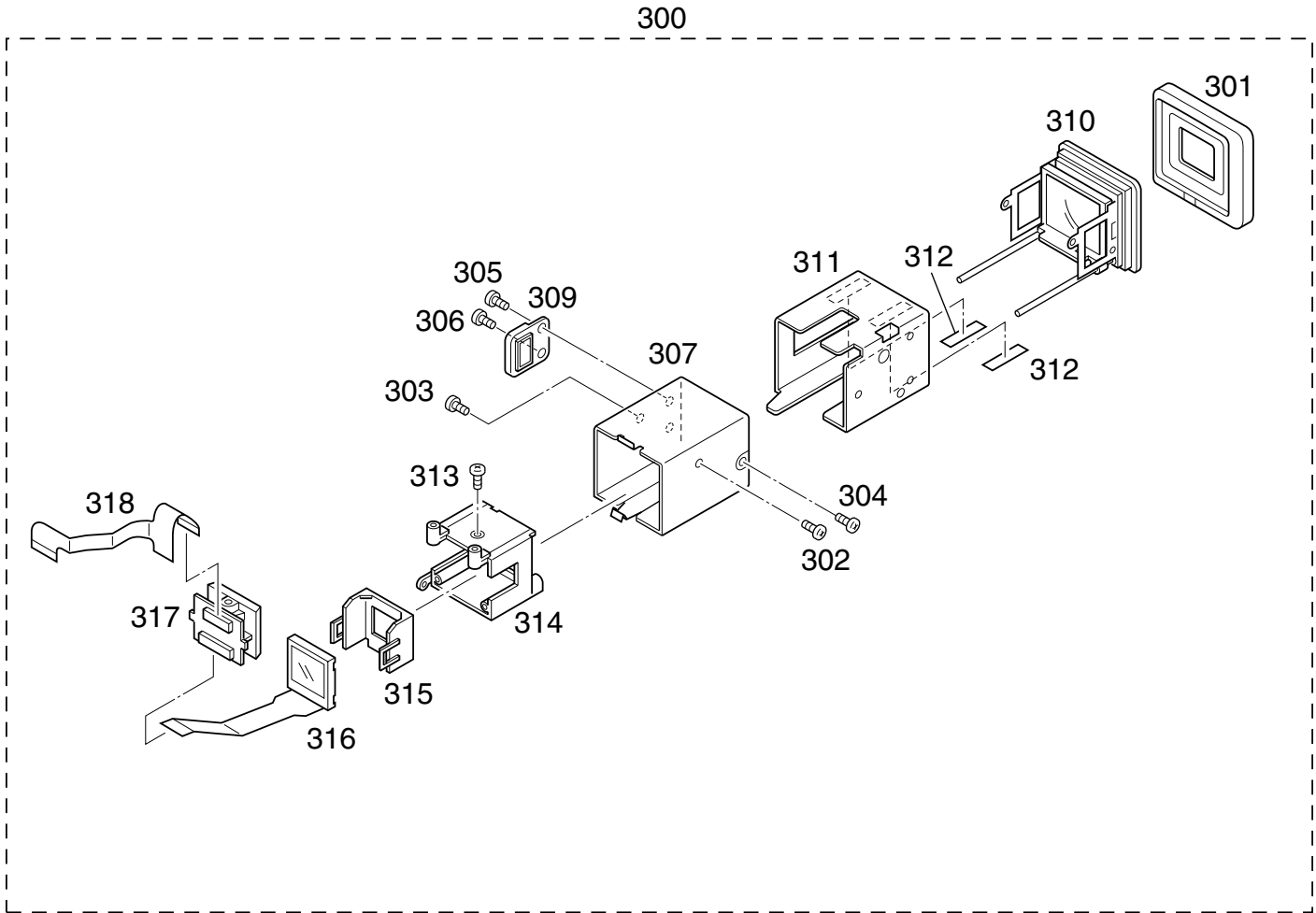
MECHANISM ASSEMBLY <M3>

400	YMA0029B	MECHA(A)ASSY
401	LY31543-002C	CASSETTE HOUSING ASSY
402	YQ43893-8	MINI SCREW,X3
403	LY31542-001F	UPPER BASE ASSY
404	YQ43893	MINI SCREW
405	YDV2096B	DRUM ASSY
406	LY42820-001A	DAMPER SCREW ASSY,X2
407	LY42820-002A	DAMPER SCREW ASSY
408	LY31538-001B	REEL DISK ASSY
409	LY31538-002B	REEL DISK ASSY
410	YQ44246	SLIT WASHER,X2
411	LY10217-001A	REEL COVER ASSY
412	LY42120-001A	MINI SCREW
413	LY41945-003A	MINI SCREW,X2
414	YQ44246	SLIT WASHER,X2
415	LY42025-001C	TENSSION ARM ASSY
416	LY31535-001C	SLANT POLE ARM ASSY
417	LY42031-001C	TU ARM ASSY
418	LY31531-001B	SWING ARM ASSY
419	YQ43893	MINI SCREW
420	LY20530-002B	SLIDE DECK FINAL ASSY
421	YQ43893	MINI SCREW,X2
422	LY43023-001A	MINI SCREW
424	LY31533-001D	PAD ARM ASSY
425	YQ44246	SLIT WASHER
426	LY42014-001A	SUP BRAKE ASSY
427	YQ43893	MINI SCREW
428	LY42016-001A	TU BRAKE ASSY
429	YQ44246	SLIT WASHER
430	LY41959-001A	TENSION CONTROL LEVER ASSY
431	LY31525-001A	CENTER GEAR
432	LY31516-001B	PINCH ROLLER ARM FINAL ASSY
433	YQ44246	SLIT WASHER
434	LY41956-001C	TENSION CONTROL PLATE ASSY
435	LY41962-001B	BRAKE CONTROL LEVER ASSY
436	LY20525-002A	MONITOR BRACKET ASSY
436A	QAR0138-001	LOADING MOTOR
436B	LY41940-001A	TAPPING SCREW,X2
437	YQ43893	MINI SCREW,X3
438	LY20528-001H	GUIDE RAIL ASSY
439	YQ43893	MINI SCREW
440	YQ44246	SLIT WASHER,X2
441	LY31498-002B	SLIDE LEVER2 ASSY
442	LY41965-001A	LOADING PLATE ASSY
443	YQ44246	SLIT WASHER
444	LY31522-001A	EJECT LEVER
445	YQ44246	SLIT WASHER
446	LY41929-001A	BASE R ASSY
447	YQ43893	MINI SCREW
448	LY41945-001A	MINI SCREW
449	LY41930-001A	MODE GEAR
450	QSW0876-002	ROTARY ENCODER
451	YQ43893	MINI SCREW,X2
452	LY31524-001A	GEAR COVER ASSY
453	YQ43893	MINI SCREW,X2
454	YQ43893-4	MINI SCREW
455	LY41948-001B	MAIN CAM ASSY
456	LY41941-001A	SLIDE ARM ASSY
457	LY41951-001A	CONNECT GEAR 2

▲ REF No. PART No. PART NAME, DESCRIPTION

458	LY41954-001A	SUB CAM ASSY
459	LY42120-001A	MINI SCREW
460	LY41952-001A	CNTLROL ARM ASSY
461	LY31523-001A	REEL GEAR 1
462	LY31508-001B	DRUM BASE ASSY
463	QYSPSPU1425M	SCREW,X3
464	QAR0142-001	CAPSTAN MOTOR
465	YQ43893	MINI SCREW
466	LY10210-001C	MAIN DECK ASSY

5.4 ELECTRONIC VIEWFINDER ASSEMBLY <M4>



Δ REF No. PART No. PART NAME, DESCRIPTION

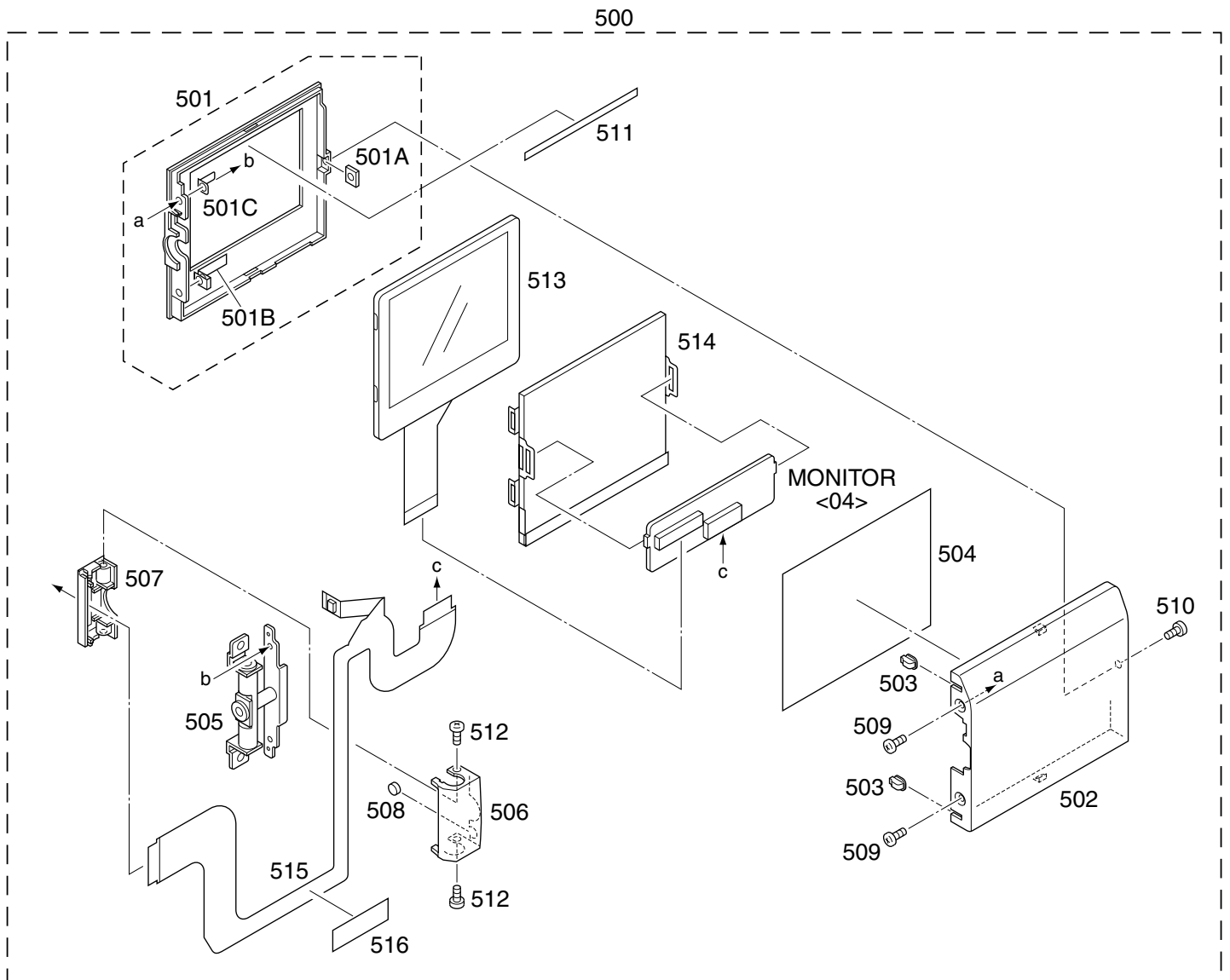
ELECTRONIC VIEWFINDER ASSEMBLY <M4>

300	LY32231-001C	VF UNIT
301	PTY32231-001	EYE CUP
302	LY30018-005A	SPECIAL SCREW
303	LY30018-005A	SPECIAL SCREW
304	LY30018-005A	SPECIAL SCREW
305	LY30019-036A	SPECIAL SCREW
306	LY30019-036A	SPECIAL SCREW

Δ REF No. PART No. PART NAME, DESCRIPTION

307	PTY32231-011	CASE ASSY
309	PTY32231-012	CAP(VF)
310	PTY32231-041	EYE PIECE SUB ASSY
311	PTY32231-031	GUIDE(VF)
312	LY43237-001A	SPACER(A),X2
313	LY30018-0D4A	SPECIAL SCREW
314	PTY32231-021	FRANE(VF)
315	PTY32231-051	HOLDER(LCD)
316	QLD0117-002	LCD MODULE
317	PTY32231-061	B/L PWB
318	PTY32231-071	FRANE(VF)

5.5 MONITOR ASSEMBLY <M5>



▲ REF No. PART No. PART NAME, DESCRIPTION

MONITOR ASSEMBLY <M5>

# ▲	REF No.	PART No.	PART NAME, DESCRIPTION
△	500	LYH20289-001B	MONITOR ASSY
	501	LY32263-001C	MONITOR CASE ASSY
	501A	LY40162-001A	BRACKET
	501B	LY43202-001A	EARTH(MONI.2)
	501C	LY43077-001B	EARTH(MONI.)
△	502	LY10297-001C	MONITOR COVER
	503	LY43078-001B	RIB(MONI.),X2
	504	LY43085-001A	SHEET(M.COVER)
	505	LY32230-001A	HINGE ASSY

▲ REF No. PART No. PART NAME, DESCRIPTION

	506	LY32267-001A	HINGE COVER(U)
	507	LY32268-001A	HINGE COVER(L)
	508	LY42355-001A	MAGNET
	509	LY30018-0D3A	SPECIAL SCREW,X2
	510	LY30018-081A	SPECIAL SCREW
	511	LY30029-0M8A	SPACER(A)
	512	LY30018-087A	SPECIAL SCREW,X2
	513	QLD0131-001	LCD MODULE
	514	QLL0097-001	BACK LIGHT
	515	LY32282-001B	FPC ASSY(MONI)
	516	LY43214-001A	SHEET(MONI.FPC)

5.6 ELECTRICAL PARTS LIST

#	△ REF No.	PART No.	PART NAME, DESCRIPTION

MAIN BOARD ASSEMBLY <01>			
PW		YB10327A-02	MAIN BOARD ASSY
IC1001		UPD703039F1-A13	IC(MICRO C ROM)
		or UPD70F3040F1A13	IC(MICRO C ROM)
IC1002		RS5C314	IC
IC1003		AT25320N-10SI-X	IC
		or 25LC640-I/SN-X	IC
		or X25330S8I-2.5-X	IC
IC1006		MB90097PFV142	IC(μ C ROM)
IC1007		SN74AHC1G08K	IC
IC1101		TA75W01FU	IC
IC1401		UPD703040YF-M01	IC(MICRO C ROM)
		or UPD70F3040YFM01	IC(MICRO C ROM)
IC1601		BD6630KV	IC
IC1701		TA75W01FU	IC
IC1702		TA75W393FU	IC
IC3001		JCY0170	IC
IC3002		JCY0136	IC
IC3003		TLC2940IPW	IC
IC3004		SN74AHC1G04K	IC
IC3006		JCY0164	IC
IC3501		JCY0132	IC
IC3701		BA7665FS	IC
IC4201		HD49326BF	IC
IC4202		MM1385HN	IC
IC4301		JCY0167	IC
IC4302		MSM548331TA	IC(DIGITAL)
IC4303		MSM548331TA	IC(DIGITAL)
IC4304		MM1385NN	IC
IC5501		JCY0117	IC
IC6001		S-80842ANNP-W	IC
IC6002		S-817A33ANB-W	IC
IC6003		S-814A30AMC-W	IC
IC6004		S-80826ANNP-W	IC
IC6101		FA3676F	IC
IC7402		CXA3503R-B	IC
IC7801		CXA3268AR-B	IC
IC7802		MM1385HN	IC
IC7804		TA75W01FU	IC
IC8001		JCY0169	IC
IC8002		MSM56V16160D1LS	IC
IC8003		M32310D5WG	IC
IC8004		MBV800TA90PBA12	IC(MICRO C ROM)
IC8005		SN74AHC1G00K	IC
		or TC7S00FU	IC
IC8006		MM1385NN	IC
IC8007		MM1385EN	IC
IC8008		TC7WHU04FU	IC
IC8009		TC7WH74FK	IC
IC8010		TC7WH32FK	IC
IC8011		SN74AHC1G08K	IC
IC8012		TC7WH74FK	IC
IC8101		TMS320DA050	IC
IC8102		TC7MA2244FK	IC
IC8103		TC7S04FU	IC(DIGITAL)
IC8401		ML60851CLB	IC
		or ML60851DLB	IC
IC8402		S-80842ANNP-W	IC
Q1001		DTC124EE	TRANSISTOR
		or UN9212J	TRANSISTOR

#	△ REF No.	PART No.	PART NAME, DESCRIPTION
Q1002		2SC4617/QR/-X	TRANSISTOR
Q1003		DTC143EE	TRANSISTOR
		or RN1101	TRANSISTOR
		or UN921LJ	TRANSISTOR
Q1004		DTC143XE	TRANSISTOR
Q1006		DTA114EE	TRANSISTOR
		or PDTA114EE	TRANSISTOR
		or RN2102	TRANSISTOR
		or UN9111J	TRANSISTOR
Q1007		DTC144EE	TRANSISTOR
		or RN1104	TRANSISTOR
		or PDTC144EE	TRANSISTOR
		or UN9213J	TRANSISTOR
Q1401		DTA114EE	TRANSISTOR
		or PDTA114EE	TRANSISTOR
		or RN2102	TRANSISTOR
		or UN9111J	TRANSISTOR
Q1402		UMC3N	TRANSISTOR
Q1403		UMC3N	TRANSISTOR
Q1601		UMC3N	TRANSISTOR
Q2701		UMX1N	PAIR TRANSISTOR
Q2702		UMX1N	PAIR TRANSISTOR
Q3701		UMT2N	PAIR TRANSISTOR
Q3702		UMZ1N	PAIR TRANSISTOR
Q4301		UMT2N	PAIR TRANSISTOR
Q4303		2SA1774/QR/-X	TRANSISTOR
Q6001		SSM6J07FU	MOS FET
Q6002		2SK3019	MOS FET
		or 2SK1830	MOS FET
Q6003		2SJ347	MOS FET
Q6004		2SK3019	MOS FET
		or 2SK1830	MOS FET
Q6005		DTC144EE	TRANSISTOR
		or PDTC144EE	TRANSISTOR
		or RN1104	TRANSISTOR
		or UN9213J	TRANSISTOR
Q6101		FDC6506P	MOS FET
Q6102		FDC6506P	MOS FET
Q6103		FDC6506P	MOS FET
Q6104		2SC4617/RS/-X	TRANSISTOR
Q6105		UMZ1N	PAIR TRANSISTOR
Q6106		UMX1N	PAIR TRANSISTOR
Q6107		2SA1577/RS/-X	TRANSISTOR
Q7802		UMZ1N	PAIR TRANSISTOR
Q7803		UMZ1N	PAIR TRANSISTOR
Q7806		2SA1577/QR/-X	TRANSISTOR
Q7807		DTC144EE	TRANSISTOR
		or PDTC144EE	TRANSISTOR
		or RN1104	TRANSISTOR
		or UN9213J	TRANSISTOR
Q8401		DTA114EE	TRANSISTOR
		or PDTA114EE	TRANSISTOR
		or RN2102	TRANSISTOR
		or UN9111J	TRANSISTOR
D1001		DA221	DIODE
D1002		1SS376	DIODE
D1602		DAP222	DIODE
D1603		DAP222	DIODE
D1604		DAP222	DIODE
D2701		UMZ6.8EN	ZENER DIODE
D2702		EMZ6.8N	ZENER DIODE
D2703		DAN222	DIODE
D3001		EC2C01C	VARI CAP DIODE

#	△ REF No.	PART No.	PART NAME, DESCRIPTION	#	△ REF No.	PART No.	PART NAME, DESCRIPTION		
		D3002	EC2C01C	VARI CAP DIODE	R1072	NRSA6AJ-104W	MG RESISTOR	100kΩ, 1/16W	
		D3003	EC2C01C	VARI CAP DIODE	R1101	NRSA6AJ-333W	MG RESISTOR	33kΩ, 1/16W	
		D5501	1SS355	DIODE	R1102	NRSA6AJ-472W	MG RESISTOR	4.7kΩ, 1/16W	
		D6001	RB706D-40-X	SB DIODE	R1104	NRSA6AJ-105W	MG RESISTOR	1MΩ, 1/16W	
△		D6002	RB715F	SB DIODE	R1106	NRSA6AJ-105W	MG RESISTOR	1MΩ, 1/16W	
		D6101	CRS01	SB DIODE	R1107	NRSA6AJ-103W	MG RESISTOR	10kΩ, 1/16W	
		D6102	CRS01	SB DIODE	R1108	NRSA6AJ-472W	MG RESISTOR	4.7kΩ, 1/16W	
		D6103	CRS01	SB DIODE	R1109	NRSA6AJ-103W	MG RESISTOR	10kΩ, 1/16W	
		D6104	CRS01	SB DIODE	R1401	NRSA6AJ-102W	MG RESISTOR	1kΩ, 1/16W	
		D6105	CRS01	SB DIODE	R1404	NRSA6AJ-105W	MG RESISTOR	1MΩ, 1/16W	
		D6106	1SS383	SB DIODE	R1405	NRSA6AJ-103W	MG RESISTOR	10kΩ, 1/16W	
		D6107	1SS383	SB DIODE	R1408	NRSA6AJ-472W	MG RESISTOR	4.7kΩ, 1/16W	
		D6108	MA8043/L-X	ZENER DIODE	R1422	NRSA6AJ-332W	MG RESISTOR	3.3kΩ, 1/16W	
		D7401	MA365	VARI CAP DIODE	R1423	NRSA6AJ-332W	MG RESISTOR	3.3kΩ, 1/16W	
		D7801	MA365	VARI CAP DIODE	R1424	NRSA6AJ-332W	MG RESISTOR	3.3kΩ, 1/16W	
		D7803	MA111	DIODE	R1425	NRVA6AD-753W	CMF RESISTOR	75kΩ, 1/16W	
		D8001	1SS355	DIODE	R1426	NRSA6AJ-334W	MG RESISTOR	330kΩ, 1/16W	
		D8401	RB751V-40-X	SB DIODE	R1438	NRSA6AJ-0R0W	MG RESISTOR	0Ω, 1/16W	
		R1001	NRSA6AJ-104W	MG RESISTOR	100kΩ, 1/16W	R1439	NRSA6AJ-332W	MG RESISTOR	3.3kΩ, 1/16W
		R1002	NRSA6AJ-224W	MG RESISTOR	220kΩ, 1/16W	R1440	NRSA6AJ-332W	MG RESISTOR	3.3kΩ, 1/16W
		R1003	NRSA6AJ-472W	MG RESISTOR	4.7kΩ, 1/16W	R1441	NRSA6AJ-332W	MG RESISTOR	3.3kΩ, 1/16W
		R1004	NRSA6AJ-103W	MG RESISTOR	10kΩ, 1/16W	R1442	NRSA6AJ-332W	MG RESISTOR	3.3kΩ, 1/16W
		R1005	NRSA6AJ-153W	MG RESISTOR	15kΩ, 1/16W	R1443	NRSA6AJ-102W	MG RESISTOR	1kΩ, 1/16W
		R1006	NRSA6AJ-103W	MG RESISTOR	10kΩ, 1/16W	R1444	NRSA6AJ-102W	MG RESISTOR	1kΩ, 1/16W
		R1007	NRSA6AJ-334W	MG RESISTOR	330kΩ, 1/16W	R1445	NRSA6AJ-101W	MG RESISTOR	100Ω, 1/16W
		R1008	NRSA6AJ-103W	MG RESISTOR	10kΩ, 1/16W	R1601	NRSA6AJ-681W	MG RESISTOR	680Ω, 1/16W
		R1009	NRSA6AJ-152W	MG RESISTOR	1.5kΩ, 1/16W	R1602	NRSA6AJ-124W	MG RESISTOR	120kΩ, 1/16W
		R1010	NRSA6AJ-561W	MG RESISTOR	560Ω, 1/16W	R1603	NRSA6AJ-472W	MG RESISTOR	4.7kΩ, 1/16W
		R1011	NRSA6AJ-182W	MG RESISTOR	1.8kΩ, 1/16W	R1604	NRSA6AJ-104W	MG RESISTOR	100kΩ, 1/16W
		R1012	NRSA6AJ-272W	MG RESISTOR	2.7kΩ, 1/16W	R1605	NRV142F-R22X	CMF RESISTOR	0.22Ω, 1/4W
		R1013	NRSA6AJ-392W	MG RESISTOR	3.9kΩ, 1/16W	R1606	NRSA6AJ-103W	MG RESISTOR	10kΩ, 1/16W
		R1014	NRSA6AJ-682W	MG RESISTOR	6.8kΩ, 1/16W	R1609	NRV142F-R33X	CMF RESISTOR	0.33Ω, 1/4W
		R1015	NRSA6AJ-474W	MG RESISTOR	470kΩ, 1/16W	R1610	NRSA6AJ-471W	MG RESISTOR	470Ω, 1/16W
		R1017	NRSA6AJ-391W	MG RESISTOR	390Ω, 1/16W	R1611	NRSA6AJ-471W	MG RESISTOR	470Ω, 1/16W
		R1018	NRSA6AJ-103W	MG RESISTOR	10kΩ, 1/16W	R1612	NRSA6AJ-104W	MG RESISTOR	100kΩ, 1/16W
		R1020	NRSA6AJ-331W	MG RESISTOR	330Ω, 1/16W	R1613	NRSA6AJ-102W	MG RESISTOR	1kΩ, 1/16W
		R1021	NRSA6AJ-331W	MG RESISTOR	330Ω, 1/16W	R1614	NRSA6AJ-682W	MG RESISTOR	6.8kΩ, 1/16W
		R1022	NRSA6AJ-331W	MG RESISTOR	330Ω, 1/16W	R1615	NRSA6AJ-103W	MG RESISTOR	10kΩ, 1/16W
		R1023	NRSA6AJ-473W	MG RESISTOR	47kΩ, 1/16W	R1616	NRSA6AJ-681W	MG RESISTOR	680Ω, 1/16W
		R1024	NRSA6AJ-102W	MG RESISTOR	1kΩ, 1/16W	R1617	NRSA6AJ-224W	MG RESISTOR	220kΩ, 1/16W
		R1025	NRSA6AJ-104W	MG RESISTOR	100kΩ, 1/16W	R1618	NRSA6AJ-154W	MG RESISTOR	150kΩ, 1/16W
		R1026	NRSA6AJ-472W	MG RESISTOR	4.7kΩ, 1/16W	R1619	NRSA6AJ-223W	MG RESISTOR	22kΩ, 1/16W
		R1029	NRSA6AJ-473W	MG RESISTOR	47kΩ, 1/16W	R1620	NRSA6AJ-103W	MG RESISTOR	10kΩ, 1/16W
		R1030	NRSA6AJ-104W	MG RESISTOR	100kΩ, 1/16W	R1621	NRSA6AJ-103W	MG RESISTOR	10kΩ, 1/16W
		R1037	NRSA6AJ-103W	MG RESISTOR	10kΩ, 1/16W	R1622	NRSA6AJ-103W	MG RESISTOR	10kΩ, 1/16W
		R1039	NRSA6AJ-103W	MG RESISTOR	10kΩ, 1/16W	R1624	NRSA6AD-123W	MG RESISTOR	12kΩ, 1/16W
		R1044	NRSA6AJ-123W	MG RESISTOR	12kΩ, 1/16W	R1628	NRSA6AD-361W	MG RESISTOR	360Ω, 1/16W
		R1045	NRSA6AJ-822W	MG RESISTOR	8.2kΩ, 1/16W	R1629	NRSA6AJ-564W	MG RESISTOR	560kΩ, 1/16W
		R1046	NRSA6AJ-103W	MG RESISTOR	10kΩ, 1/16W	R1630	NRSA6AJ-0R0W	MG RESISTOR	0Ω, 1/16W
		R1047	NRSA6AJ-473W	MG RESISTOR	47kΩ, 1/16W	R1631	NRSA6AJ-0R0W	MG RESISTOR	0Ω, 1/16W
		R1048	NRSA6AJ-104W	MG RESISTOR	100kΩ, 1/16W	R1632	NRSA6AJ-0R0W	MG RESISTOR	0Ω, 1/16W
		R1049	NRSA6AJ-393W	MG RESISTOR	39kΩ, 1/16W	R1633	NRSA6AJ-0R0W	MG RESISTOR	0Ω, 1/16W
		R1050	NRSA6AJ-223W	MG RESISTOR	22kΩ, 1/16W	R1634	NRSA6AJ-0R0W	MG RESISTOR	0Ω, 1/16W
		R1051	NRSA6AJ-272W	MG RESISTOR	2.7kΩ, 1/16W	R1635	NRSA6AJ-472W	MG RESISTOR	4.7kΩ, 1/16W
		R1052	NRSA6AJ-183W	MG RESISTOR	18kΩ, 1/16W	R1636	NRSA6AJ-103W	MG RESISTOR	10kΩ, 1/16W
		R1053	NRSA6AJ-154W	MG RESISTOR	150kΩ, 1/16W	R1637	NRSA6AJ-124W	MG RESISTOR	120kΩ, 1/16W
		R1054	NRSA6AJ-473W	MG RESISTOR	47kΩ, 1/16W	R1644	NRSA6AJ-0R0W	MG RESISTOR	0Ω, 1/16W
		R1055	NRSA6AJ-103W	MG RESISTOR	10kΩ, 1/16W	R1701	NRSA6AJ-823W	MG RESISTOR	82kΩ, 1/16W
		R1056	NRSA6AJ-472W	MG RESISTOR	4.7kΩ, 1/16W	R1702	NRSA6AJ-222W	MG RESISTOR	2.2kΩ, 1/16W
		R1058	NRSA6AJ-222W	MG RESISTOR	2.2kΩ, 1/16W	R1703	NRSA6AJ-222W	MG RESISTOR	2.2kΩ, 1/16W
		R1060	NRSA6AJ-473W	MG RESISTOR	47kΩ, 1/16W	R1704	NRSA6AJ-222W	MG RESISTOR	2.2kΩ, 1/16W
		R1066	NRSA6AJ-473W	MG RESISTOR	47kΩ, 1/16W	R1705	NRSA6AJ-222W	MG RESISTOR	2.2kΩ, 1/16W
		R1071	NRSA6AJ-474W	MG RESISTOR	470kΩ, 1/16W	R1706	NRSA6AJ-823W	MG RESISTOR	82kΩ, 1/16W

#	△ REF No.	PART No.	PART NAME, DESCRIPTION	#	△ REF No.	PART No.	PART NAME, DESCRIPTION
R1707		NRSA6AJ-103W	MG RESISTOR 10kΩ,1/16W	R3521		NRSA6AJ-0R0W	MG RESISTOR 0Ω,1/16W
R1708		NRSA6AJ-124W	MG RESISTOR 120kΩ,1/16W	R3522		NRSA6AJ-0R0W	MG RESISTOR 0Ω,1/16W
R1709		NRSA6AJ-103W	MG RESISTOR 10kΩ,1/16W	R3523		NRSA6AJ-0R0W	MG RESISTOR 0Ω,1/16W
R1710		NRSA6AJ-124W	MG RESISTOR 120kΩ,1/16W	R3525		NRSA6AJ-0R0W	MG RESISTOR 0Ω,1/16W
R1711		NRSA6AJ-102W	MG RESISTOR 1kΩ,1/16W	R3701		NRSA6AD-241W	MG RESISTOR 240Ω,1/16W
R1712		NRSA6AJ-102W	MG RESISTOR 1kΩ,1/16W	R3702		NRSA6AD-241W	MG RESISTOR 240Ω,1/16W
R2701		NRSA6AJ-821W	MG RESISTOR 820Ω,1/16W	R3703		NRSA6AJ-472W	MG RESISTOR 4.7kΩ,1/16W
R2702		NRSA6AJ-821W	MG RESISTOR 820Ω,1/16W	R3704		NRSA6AJ-392W	MG RESISTOR 3.9kΩ,1/16W
R2703		NRSA6AJ-564W	MG RESISTOR 560kΩ,1/16W	R3705		NRSA6AD-221W	MG RESISTOR 220Ω,1/16W
R2704		NRSA6AJ-564W	MG RESISTOR 560kΩ,1/16W	R3706		NRSA6AD-221W	MG RESISTOR 220Ω,1/16W
R2705		NRSA6AJ-332W	MG RESISTOR 3.3kΩ,1/16W	R3707		NRSA6AJ-472W	MG RESISTOR 4.7kΩ,1/16W
R2706		NRSA6AJ-151W	MG RESISTOR 150Ω,1/16W	R3708		NRSA6AD-680W	MG RESISTOR 68Ω,1/16W
R2707		NRSA6AJ-151W	MG RESISTOR 150Ω,1/16W	R3709		NRSA6AD-680W	MG RESISTOR 68Ω,1/16W
R2708		NRSA6AJ-103W	MG RESISTOR 10kΩ,1/16W	R3711		NRSA6AJ-123W	MG RESISTOR 12kΩ,1/16W
R2709		NRSA6AJ-103W	MG RESISTOR 10kΩ,1/16W	R3712		NRSA6AJ-103W	MG RESISTOR 10kΩ,1/16W
R2710		NRSA6AJ-332W	MG RESISTOR 3.3kΩ,1/16W	R3714		NRSA6AJ-561W	MG RESISTOR 560Ω,1/16W
R2909		NRSA6AJ-472W	MG RESISTOR 4.7kΩ,1/16W	R3715		NRSA6AJ-561W	MG RESISTOR 560Ω,1/16W
R3002		NRSA6AJ-103W	MG RESISTOR 10kΩ,1/16W	R3716		NRSA6AJ-103W	MG RESISTOR 10kΩ,1/16W
R3004		NRSA6AJ-103W	MG RESISTOR 10kΩ,1/16W	R4203		NRSA6AJ-0R0W	MG RESISTOR 0Ω,1/16W
R3007		NRSA6AJ-562W	MG RESISTOR 5.6kΩ,1/16W	R4204		NRSA6AJ-220W	MG RESISTOR 22Ω,1/16W
R3008		NRSA6AJ-222W	MG RESISTOR 2.2kΩ,1/16W	R4205		NRSA6AJ-243W	MG RESISTOR 24kΩ,1/16W
R3009		NRSA6AJ-103W	MG RESISTOR 10kΩ,1/16W	R4206		NRSA6AJ-102W	MG RESISTOR 1kΩ,1/16W
R3010		NRSA6AJ-103W	MG RESISTOR 10kΩ,1/16W	R4207		NRSA6AJ-102W	MG RESISTOR 1kΩ,1/16W
R3011		NRSA6AJ-224W	MG RESISTOR 220kΩ,1/16W	R4208		NRSA6AJ-102W	MG RESISTOR 1kΩ,1/16W
R3013		NRSA6AJ-242W	MG RESISTOR 2.4kΩ,1/16W	R4301		NRSA6AJ-220W	MG RESISTOR 22Ω,1/16W
R3014		NRSA6AJ-392W	MG RESISTOR 3.9kΩ,1/16W	R4302		NRSA6AJ-100W	MG RESISTOR 10Ω,1/16W
R3015		NRSA6AJ-392W	MG RESISTOR 3.9kΩ,1/16W	R4303		NRSA6AJ-0R0W	MG RESISTOR 0Ω,1/16W
R3016		NRSA6AD-560W	MG RESISTOR 56Ω,1/16W	R4307		NRVA6AD-333W	CMF RESISTOR 33kΩ,1/16W
R3017		NRSA6AD-560W	MG RESISTOR 56Ω,1/16W	R4308		NRVA6AD-682W	CMF RESISTOR 6.8kΩ,1/16W
R3018		NRSA6AD-560W	MG RESISTOR 56Ω,1/16W	R4309		NRSA6AJ-0R0W	MG RESISTOR 0Ω,1/16W
R3019		NRSA6AD-560W	MG RESISTOR 56Ω,1/16W	R4311		NRVA6AD-272W	CMF RESISTOR 2.7kΩ,1/16W
R3020		NRSA6AD-512W	MG RESISTOR 5.1kΩ,1/16W	R4312		NRVA6AD-272W	CMF RESISTOR 2.7kΩ,1/16W
R3025		NRSA6AJ-0R0W	MG RESISTOR 0Ω,1/16W	R4313		NRVA6AD-272W	CMF RESISTOR 2.7kΩ,1/16W
R3026		NRSA6AJ-0R0W	MG RESISTOR 0Ω,1/16W	R4314		NRVA6AD-123W	CMF RESISTOR 12kΩ,1/16W
R3027		NRSA6AJ-103W	MG RESISTOR 10kΩ,1/16W	R4315		NRVA6AD-103W	CMF RESISTOR 10kΩ,1/16W
R3029		NRSA6AJ-103W	MG RESISTOR 10kΩ,1/16W	R4316		NRVA6AD-111W	CMF RESISTOR 110Ω,1/16W
R3030		NRSA6AJ-224W	MG RESISTOR 220kΩ,1/16W	R4317		NRSA6AJ-0R0W	MG RESISTOR 0Ω,1/16W
R3031		NRSA6AJ-224W	MG RESISTOR 220kΩ,1/16W	R4318		NRSA6AJ-152W	MG RESISTOR 1.5kΩ,1/16W
R3033		NRSA6AJ-0R0W	MG RESISTOR 0Ω,1/16W	R4319		NRVA6AD-111W	CMF RESISTOR 110Ω,1/16W
R3034		NRSA6AJ-222W	MG RESISTOR 2.2kΩ,1/16W	R4320		NRSA6AJ-0R0W	MG RESISTOR 0Ω,1/16W
R3041		NRSA6AJ-561W	MG RESISTOR 560Ω,1/16W	R4321		NRSA6AJ-152W	MG RESISTOR 1.5kΩ,1/16W
R3042		NRSA6AJ-561W	MG RESISTOR 560Ω,1/16W	R4322		NRSA6AJ-100W	MG RESISTOR 10Ω,1/16W
R3043		NRSA6AJ-561W	MG RESISTOR 560Ω,1/16W	R4323		NRSA6AJ-100W	MG RESISTOR 10Ω,1/16W
R3044		NRSA6AJ-392W	MG RESISTOR 3.9kΩ,1/16W	R4324		NRSA6AJ-100W	MG RESISTOR 10Ω,1/16W
R3046		NRSA6AD-222W	MG RESISTOR 2.2kΩ,1/16W	R4325		NRSA6AJ-101W	MG RESISTOR 100Ω,1/16W
R3047		NRSA6AJ-0R0W	MG RESISTOR 0Ω,1/16W	R4326		NRSA6AJ-101W	MG RESISTOR 100Ω,1/16W
R3050		NRSA63J-101X	MG RESISTOR 100Ω,1/16W	R4327		NRSA6AJ-101W	MG RESISTOR 100Ω,1/16W
R3052		NRSA6AJ-103W	MG RESISTOR 10kΩ,1/16W	R4328		NRSA6AJ-101W	MG RESISTOR 100Ω,1/16W
R3053		NRSA6AJ-103W	MG RESISTOR 10kΩ,1/16W	R4329		NRSA6AJ-223W	MG RESISTOR 22kΩ,1/16W
R3054		NRSA6AJ-103W	MG RESISTOR 10kΩ,1/16W	R4330		NRSA6AJ-0R0W	MG RESISTOR 0Ω,1/16W
R3055		NRSA6AJ-103W	MG RESISTOR 10kΩ,1/16W	R4331		NRVA6AD-111W	CMF RESISTOR 110Ω,1/16W
R3057		NRSA6AJ-101W	MG RESISTOR 100Ω,1/16W	R4332		NRSA6AJ-152W	MG RESISTOR 1.5kΩ,1/16W
R3059		NRSA6AJ-0R0W	MG RESISTOR 0Ω,1/16W	R4333		NRSA6AJ-0R0W	MG RESISTOR 0Ω,1/16W
R3062		NRSA6AJ-0R0W	MG RESISTOR 0Ω,1/16W	R4336		NRSA6AJ-0R0W	MG RESISTOR 0Ω,1/16W
R3501		NRSA6AJ-471W	MG RESISTOR 470Ω,1/16W	R4338		NRSA6AJ-220W	MG RESISTOR 22Ω,1/16W
R3502		NRSA6AJ-104W	MG RESISTOR 100kΩ,1/16W	R4340		NRSA6AJ-272W	MG RESISTOR 2.7kΩ,1/16W
R3503		NRSA6AJ-102W	MG RESISTOR 1kΩ,1/16W	R4341		NRSA6AJ-223W	MG RESISTOR 22kΩ,1/16W
R3504		NRSA6AD-241W	MG RESISTOR 240Ω,1/16W	R4342		NRSA6AJ-223W	MG RESISTOR 22kΩ,1/16W
R3505		NRSA6AD-241W	MG RESISTOR 240Ω,1/16W	R4343		NRSA6AJ-223W	MG RESISTOR 22kΩ,1/16W
R3506		NRSA6AD-241W	MG RESISTOR 240Ω,1/16W	R5501		NRSA6AJ-470W	MG RESISTOR 47Ω,1/16W
R3507		NRSA6AD-241W	MG RESISTOR 240Ω,1/16W	R5503		NRSA6AJ-100W	MG RESISTOR 10Ω,1/16W
R3508		NRSA6AJ-223W	MG RESISTOR 22kΩ,1/16W	R5504		NRSA6AJ-100W	MG RESISTOR 10Ω,1/16W
R3509		NRSA63J-0R0X	MG RESISTOR 0Ω,1/16W	R5505		NRSA6AJ-100W	MG RESISTOR 10Ω,1/16W

#	△	REF No.	PART No.	PART NAME, DESCRIPTION		#	△	REF No.	PART No.	PART NAME, DESCRIPTION	
		R5506	NRSA6AJ-100W	MG RESISTOR	10Ω, 1/16W			R6148	NRSA6AD-103W	MG RESISTOR	10kΩ, 1/16W
		R5507	NRSA6AJ-100W	MG RESISTOR	10Ω, 1/16W			R6150	NRSA6AJ-0R0W	MG RESISTOR	0Ω, 1/16W
		R5509	NRSA6AJ-220W	MG RESISTOR	22Ω, 1/16W			R7401	NRSA6AJ-104W	MG RESISTOR	100kΩ, 1/16W
		R5510	NRSA6AJ-470W	MG RESISTOR	47Ω, 1/16W			R7402	NRSA6AD-333W	MG RESISTOR	33kΩ, 1/16W
		R5511	NRSA6AJ-470W	MG RESISTOR	47Ω, 1/16W			R7403	NRSA6AJ-0R0W	MG RESISTOR	0Ω, 1/16W
		R5512	NRSA6AJ-102W	MG RESISTOR	1kΩ, 1/16W			R7404	NRSA6AJ-0R0W	MG RESISTOR	0Ω, 1/16W
		R5513	NRSA6AJ-102W	MG RESISTOR	1kΩ, 1/16W			R7405	NRSA6AJ-0R0W	MG RESISTOR	0Ω, 1/16W
		R5514	NRSA6AJ-102W	MG RESISTOR	1kΩ, 1/16W			R7406	NRSA6AD-153W	MG RESISTOR	15kΩ, 1/16W
		R6001	NRSA6AJ-104W	MG RESISTOR	100kΩ, 1/16W			R7407	NRSA6AJ-0R0W	MG RESISTOR	0Ω, 1/16W
		R6002	NRSA6AD-183W	MG RESISTOR	18kΩ, 1/16W			R7409	NRSA6AJ-100W	MG RESISTOR	10Ω, 1/16W
		R6003	NRSA6AJ-104W	MG RESISTOR	100kΩ, 1/16W			R7410	NRSA6AJ-100W	MG RESISTOR	10Ω, 1/16W
		R6004	NRSA6AJ-102W	MG RESISTOR	1kΩ, 1/16W			R7411	NRSA6AJ-100W	MG RESISTOR	10Ω, 1/16W
		R6005	NRSA6AJ-224W	MG RESISTOR	220kΩ, 1/16W			R7415	NRSA6AJ-0R0W	MG RESISTOR	0Ω, 1/16W
		R6006	NRSA6AJ-104W	MG RESISTOR	100kΩ, 1/16W			R7416	NRSA6AJ-0R0W	MG RESISTOR	0Ω, 1/16W
		R6007	NRSA6AJ-104W	MG RESISTOR	100kΩ, 1/16W			R7420	NRSA6AJ-333W	MG RESISTOR	33kΩ, 1/16W
		R6011	NRSA6AJ-104W	MG RESISTOR	100kΩ, 1/16W			R7421	NRSA6AJ-103W	MG RESISTOR	10kΩ, 1/16W
		R6012	NRSA6AD-823W	MG RESISTOR	82kΩ, 1/16W			R7422	NRSA6AJ-102W	MG RESISTOR	1kΩ, 1/16W
		R6013	NRSA6AD-473W	MG RESISTOR	47kΩ, 1/16W			R7423	NRSA6AJ-103W	MG RESISTOR	10kΩ, 1/16W
	△	R6017	NRSA63J-102X	MG RESISTOR	1kΩ, 1/16W			R7436	NRSA6AJ-0R0W	MG RESISTOR	0Ω, 1/16W
	△	R6018	NRSA63J-471X	MG RESISTOR	470Ω, 1/16W			R7439	NRSA6AJ-0R0W	MG RESISTOR	0Ω, 1/16W
		R6101	NRSA6AD-302W	MG RESISTOR	3kΩ, 1/16W			R7440	NRSA6AJ-0R0W	MG RESISTOR	0Ω, 1/16W
		R6102	NRSA6AD-243W	MG RESISTOR	24kΩ, 1/16W			R7445	NRSA6AJ-101W	MG RESISTOR	100Ω, 1/16W
		R6103	NRSA6AJ-0R0W	MG RESISTOR	0Ω, 1/16W			R7446	NRSA6AJ-0R0W	MG RESISTOR	0Ω, 1/16W
		R6104	NRSA6AJ-224W	MG RESISTOR	220kΩ, 1/16W			R7449	NRSA6AJ-0R0W	MG RESISTOR	0Ω, 1/16W
		R6105	NRSA6AJ-184W	MG RESISTOR	180kΩ, 1/16W			R7801	NRSA6AJ-0R0W	MG RESISTOR	0Ω, 1/16W
		R6107	NRSA6AD-153W	MG RESISTOR	15kΩ, 1/16W			R7802	NRSA6AJ-0R0W	MG RESISTOR	0Ω, 1/16W
		R6108	NRSA6AD-123W	MG RESISTOR	12kΩ, 1/16W			R7806	NRSA6AJ-104W	MG RESISTOR	100kΩ, 1/16W
		R6109	NRSA6AD-562W	MG RESISTOR	5.6kΩ, 1/16W			R7808	NRSA6AD-333W	MG RESISTOR	33kΩ, 1/16W
		R6110	NRSA6AD-473W	MG RESISTOR	47kΩ, 1/16W			R7809	NRSA6AJ-100W	MG RESISTOR	10Ω, 1/16W
		R6111	NRSA6AD-472W	MG RESISTOR	4.7kΩ, 1/16W			R7810	NRSA6AJ-100W	MG RESISTOR	10Ω, 1/16W
		R6112	NRSA6AD-113W	MG RESISTOR	11kΩ, 1/16W			R7812	NRSA6AD-153W	MG RESISTOR	15kΩ, 1/16W
		R6113	NRSA6AD-223W	MG RESISTOR	22kΩ, 1/16W			R7814	NRSA6AJ-333W	MG RESISTOR	33kΩ, 1/16W
		R6114	NRSA6AD-183W	MG RESISTOR	18kΩ, 1/16W			R7815	NRSA6AJ-103W	MG RESISTOR	10kΩ, 1/16W
		R6115	NRSA6AD-512W	MG RESISTOR	5.1kΩ, 1/16W			R7816	NRSA6AJ-102W	MG RESISTOR	1kΩ, 1/16W
		R6116	NRVA6AD-433W	CMF RESISTOR	43kΩ, 1/16W			R7817	NRSA6AJ-103W	MG RESISTOR	10kΩ, 1/16W
		R6117	NRSA6AJ-272W	MG RESISTOR	2.7kΩ, 1/16W			R7820	NRSA6AD-223W	MG RESISTOR	22kΩ, 1/16W
		R6118	NRSA6AJ-472W	MG RESISTOR	4.7kΩ, 1/16W			R7821	NRSA6AD-183W	MG RESISTOR	18kΩ, 1/16W
		R6119	NRSA6AD-683W	MG RESISTOR	68kΩ, 1/16W			R7822	NRSA6AD-331W	MG RESISTOR	330Ω, 1/16W
		R6120	NRSA6AD-123W	MG RESISTOR	12kΩ, 1/16W			R7823	NRSA6AJ-100W	MG RESISTOR	10Ω, 1/16W
		R6121	NRSA6AJ-223W	MG RESISTOR	22kΩ, 1/16W			R7824	NRSA6AJ-100W	MG RESISTOR	10Ω, 1/16W
		R6122	NRSA6AJ-223W	MG RESISTOR	22kΩ, 1/16W			R7825	NRSA6AJ-100W	MG RESISTOR	10Ω, 1/16W
		R6124	NRSA6AJ-330W	MG RESISTOR	33Ω, 1/16W			R7826	NRSA6AJ-0R0W	MG RESISTOR	0Ω, 1/16W
		R6125	NRSA6AJ-330W	MG RESISTOR	33Ω, 1/16W			R7827	NRSA6AJ-0R0W	MG RESISTOR	0Ω, 1/16W
		R6126	NRSA6AJ-473W	MG RESISTOR	47kΩ, 1/16W			R7834	NRSA6AJ-100W	MG RESISTOR	10Ω, 1/16W
		R6127	NRSA6AJ-330W	MG RESISTOR	33Ω, 1/16W			R7835	NRSA6AJ-223W	MG RESISTOR	22kΩ, 1/16W
		R6128	NRSA6AJ-330W	MG RESISTOR	33Ω, 1/16W			R7836	NRSA6AJ-223W	MG RESISTOR	22kΩ, 1/16W
		R6129	NRSA6AJ-330W	MG RESISTOR	33Ω, 1/16W			R7837	NRSA6AJ-103W	MG RESISTOR	10kΩ, 1/16W
		R6130	NRSA6AJ-473W	MG RESISTOR	47kΩ, 1/16W			R7838	NRSA6AJ-472W	MG RESISTOR	4.7kΩ, 1/16W
		R6131	NRSA6AJ-330W	MG RESISTOR	33Ω, 1/16W			R7846	NRSA6AJ-333W	MG RESISTOR	33kΩ, 1/16W
		R6132	NRSA6AJ-101W	MG RESISTOR	100Ω, 1/16W			R7847	NRSA6AJ-683W	MG RESISTOR	68kΩ, 1/16W
		R6133	NRSA6AJ-222W	MG RESISTOR	2.2kΩ, 1/16W			R7848	NRSA6AJ-473W	MG RESISTOR	47kΩ, 1/16W
		R6134	NRSA6AD-333W	MG RESISTOR	33kΩ, 1/16W			R7849	NRSA6AJ-184W	MG RESISTOR	180kΩ, 1/16W
		R6135	NRSA6AD-473W	MG RESISTOR	47kΩ, 1/16W			R7857	NRSA6AJ-0R0W	MG RESISTOR	0Ω, 1/16W
		R6136	NRSA6AJ-473W	MG RESISTOR	47kΩ, 1/16W			R7858	NRSA6AJ-0R0W	MG RESISTOR	0Ω, 1/16W
		R6137	NRSA6AJ-273W	MG RESISTOR	27kΩ, 1/16W			R7859	NRSA6AJ-0R0W	MG RESISTOR	0Ω, 1/16W
		R6138	NRSA6AJ-822W	MG RESISTOR	8.2kΩ, 1/16W			R7881	NRSA6AJ-101W	MG RESISTOR	100Ω, 1/16W
		R6139	NRSA6AD-823W	MG RESISTOR	82kΩ, 1/16W			R7882	NRSA6AJ-0R0W	MG RESISTOR	0Ω, 1/16W
		R6140	NRSA6AD-513W	MG RESISTOR	51kΩ, 1/16W			R7885	NRSA6AJ-0R0W	MG RESISTOR	0Ω, 1/16W
		R6141	NRSA6AD-473W	MG RESISTOR	47kΩ, 1/16W			R7887	NRSA6AJ-473W	MG RESISTOR	47kΩ, 1/16W
		R6144	NRSA6AD-223W	MG RESISTOR	22kΩ, 1/16W			R7888	NRSA6AJ-184W	MG RESISTOR	180kΩ, 1/16W
		R6145	NRSA6AD-473W	MG RESISTOR	47kΩ, 1/16W			R8002	NRSA6AJ-100W	MG RESISTOR	10Ω, 1/16W
		R6146	NRSA6AD-104W	MG RESISTOR	100kΩ, 1/16W			R8004	NRSA6AJ-104W	MG RESISTOR	100kΩ, 1/16W
		R6147	NRSA6AD-123W	MG RESISTOR	12kΩ, 1/16W			R8006	NRSA6AJ-0R0W	MG RESISTOR	0Ω, 1/16W

#	△ REF No.	PART No.	PART NAME, DESCRIPTION		#	△ REF No.	PART No.	PART NAME, DESCRIPTION	
R8007		NRSA6AJ-103W	MG RESISTOR	10kΩ,1/16W	R8402		NRS181J-220X	MG RESISTOR	22Ω,1/8W
R8008		NRSA6AJ-0R0W	MG RESISTOR	0Ω,1/16W	R8403		NRS181J-220X	MG RESISTOR	22Ω,1/8W
R8011		NRSA6AJ-0R0W	MG RESISTOR	0Ω,1/16W	R8404		NRSA6AJ-152W	MG RESISTOR	1.5kΩ,1/16W
R8014		NRSA6AJ-0R0W	MG RESISTOR	0Ω,1/16W	R8406		NRSA6AJ-153W	MG RESISTOR	15kΩ,1/16W
R8015		NRVA6AD-133W	CMF RESISTOR	13kΩ,1/16W	R8407		NRSA6AJ-102W	MG RESISTOR	1kΩ,1/16W
R8017		NRSA6AJ-0R0W	MG RESISTOR	0Ω,1/16W	R8408		NRSA6AJ-0R0W	MG RESISTOR	0Ω,1/16W
R8020		NRSA6AJ-0R0W	MG RESISTOR	0Ω,1/16W	R8409		NRSA6AJ-0R0W	MG RESISTOR	0Ω,1/16W
R8021		NRSA6AJ-100W	MG RESISTOR	10Ω,1/16W	R8410		NRSA6AJ-0R0W	MG RESISTOR	0Ω,1/16W
R8022		NRSA6AJ-223W	MG RESISTOR	22kΩ,1/16W	R8411		NRSA6AJ-0R0W	MG RESISTOR	0Ω,1/16W
R8023		NRSA6AJ-100W	MG RESISTOR	10Ω,1/16W	R8412		NRSA6AJ-0R0W	MG RESISTOR	0Ω,1/16W
R8025		NRSA6AJ-100W	MG RESISTOR	10Ω,1/16W	RA1008		NRZ0034-104W	NETWORK RESISTOR	100kΩ
R8026		NRSA6AJ-100W	MG RESISTOR	10Ω,1/16W	RA1009		NRZ0034-104W	NETWORK RESISTOR	100kΩ
R8027		NRSA6AJ-104W	MG RESISTOR	100kΩ,1/16W	RA1010		NRZ0034-104W	NETWORK RESISTOR	100kΩ
R8028		NRSA6AJ-104W	MG RESISTOR	100kΩ,1/16W	RA1401		NRZ0034-473W	NETWORK RESISTOR	47kΩ
R8029		NRSA6AJ-104W	MG RESISTOR	100kΩ,1/16W	RA1402		NRZ0034-102W	NETWORK RESISTOR	1kΩ
R8030		NRSA6AJ-223W	MG RESISTOR	22kΩ,1/16W	RA4301		NRZ0034-101W	NETWORK RESISTOR	100Ω
R8032		NRSA6AJ-0R0W	MG RESISTOR	0Ω,1/16W	RA4302		NRZ0034-101W	NETWORK RESISTOR	100Ω
R8033		NRSA6AJ-104W	MG RESISTOR	100kΩ,1/16W	RA4303		NRZ0034-101W	NETWORK RESISTOR	100Ω
R8034		NRSA6AJ-101W	MG RESISTOR	100Ω,1/16W	RA4304		NRZ0034-101W	NETWORK RESISTOR	100Ω
R8035		NRSA6AJ-101W	MG RESISTOR	100Ω,1/16W	RA4305		NRZ0034-101W	NETWORK RESISTOR	100Ω
R8036		NRSA6AJ-0R0W	MG RESISTOR	0Ω,1/16W	RA4306		NRZ0034-101W	NETWORK RESISTOR	100Ω
R8037		NRSA6AJ-0R0W	MG RESISTOR	0Ω,1/16W	RA4307		NRZ0034-100W	NETWORK RESISTOR	10Ω
R8038		NRSA6AJ-473W	MG RESISTOR	47kΩ,1/16W	RA4308		NRZ0034-100W	NETWORK RESISTOR	10Ω
R8040		NRSA6AJ-105W	MG RESISTOR	1MΩ,1/16W	RA4309		NRZ0034-100W	NETWORK RESISTOR	10Ω
R8046		NRSA6AJ-103W	MG RESISTOR	10kΩ,1/16W	RA4310		NRZ0034-100W	NETWORK RESISTOR	10Ω
R8047		NRSA6AJ-101W	MG RESISTOR	100Ω,1/16W	RA8001		NRZ0034-100W	NETWORK RESISTOR	10Ω
R8049		NRSA6AJ-100W	MG RESISTOR	10Ω,1/16W	RA8002		NRZ0034-100W	NETWORK RESISTOR	10Ω
R8050		NRSA6AJ-100W	MG RESISTOR	10Ω,1/16W	RA8003		NRZ0034-100W	NETWORK RESISTOR	10Ω
R8051		NRSA6AJ-473W	MG RESISTOR	47kΩ,1/16W	RA8004		NRZ0034-100W	NETWORK RESISTOR	10Ω
R8052		NRSA6AJ-223W	MG RESISTOR	22kΩ,1/16W	RA8401		NRZ0034-100W	NETWORK RESISTOR	10Ω
R8053		NRSA6AJ-100W	MG RESISTOR	10Ω,1/16W	RA8402		NRZ0034-100W	NETWORK RESISTOR	10Ω
R8054		NRSA6AJ-0R0W	MG RESISTOR	0Ω,1/16W	RA8403		NRZ0034-100W	NETWORK RESISTOR	10Ω
R8055		NRSA6AJ-0R0W	MG RESISTOR	0Ω,1/16W	RA8404		NRZ0034-100W	NETWORK RESISTOR	10Ω
R8101		NRSA6AJ-473W	MG RESISTOR	47kΩ,1/16W	C1004		NCBA1CK-103W	CAPACITOR	0.01μF,16V
R8102		NRSA6AJ-0R0W	MG RESISTOR	0Ω,1/16W	C1006		NDCA1HJ-130W	CAPACITOR	13pF,50V
R8104		NRSA6AJ-473W	MG RESISTOR	47kΩ,1/16W	C1007		NCBA1CK-103W	CAPACITOR	0.01μF,16V
R8105		NRSA6AJ-473W	MG RESISTOR	47kΩ,1/16W	C1011		NCBA1CK-103W	CAPACITOR	0.01μF,16V
R8106		NRSA6AJ-221W	MG RESISTOR	220Ω,1/16W	C1013		NCBA1CK-103W	CAPACITOR	0.01μF,16V
R8107		NRSA6AJ-221W	MG RESISTOR	220Ω,1/16W	C1015		NCBA1CK-103W	CAPACITOR	0.01μF,16V
R8108		NRSA6AJ-473W	MG RESISTOR	47kΩ,1/16W	C1016		NCBA1CK-103W	CAPACITOR	0.01μF,16V
R8109		NRSA6AJ-0R0W	MG RESISTOR	0Ω,1/16W	C1017		NCBA1CK-103W	CAPACITOR	0.01μF,16V
R8110		NRSA6AJ-473W	MG RESISTOR	47kΩ,1/16W	C1018		NCBA1CK-103W	CAPACITOR	0.01μF,16V
R8111		NRSA6AJ-0R0W	MG RESISTOR	0Ω,1/16W	C1019		NCBA1CK-103W	CAPACITOR	0.01μF,16V
R8112		NRSA6AJ-0R0W	MG RESISTOR	0Ω,1/16W	C1023		NCFA1AZ-104W	CAPACITOR	0.1μF,10V
R8113		NRSA6AJ-0R0W	MG RESISTOR	0Ω,1/16W	C1026		NCFA1AZ-104W	CAPACITOR	0.1μF,10V
R8115		NRSA6AJ-221W	MG RESISTOR	220Ω,1/16W	C1027		NCBA1CK-103W	CAPACITOR	0.01μF,16V
R8116		NRSA6AJ-473W	MG RESISTOR	47kΩ,1/16W	C1028		NCBA1CK-103W	CAPACITOR	0.01μF,16V
R8117		NRSA6AJ-473W	MG RESISTOR	47kΩ,1/16W	C1029		NCBA1CK-103W	CAPACITOR	0.01μF,16V
R8118		NRSA6AJ-221W	MG RESISTOR	220Ω,1/16W	C1030		NCBA1CK-103W	CAPACITOR	0.01μF,16V
R8119		NRSA6AJ-473W	MG RESISTOR	47kΩ,1/16W	C1031		NCF31AZ-105X	CAPACITOR	1μF,10V
R8120		NRSA6AJ-221W	MG RESISTOR	220Ω,1/16W	C1034		NCBA1CK-103W	CAPACITOR	0.01μF,16V
R8121		NRSA6AJ-0R0W	MG RESISTOR	0Ω,1/16W	C1036		NCBA1CK-103W	CAPACITOR	0.01μF,16V
R8122		NRSA6AJ-105W	MG RESISTOR	1MΩ,1/16W	C1037		NCBA1CK-103W	CAPACITOR	0.01μF,16V
R8124		NRSA6AJ-472W	MG RESISTOR	4.7kΩ,1/16W	C1038		NCBA1CK-103W	CAPACITOR	0.01μF,16V
R8128		NRSA6AJ-472W	MG RESISTOR	4.7kΩ,1/16W	C1101		NCBA1AK-104W	CAPACITOR	0.1μF,10V
R8129		NRSA6AJ-105W	MG RESISTOR	1MΩ,1/16W	C1102		NCBA1CK-223W	CAPACITOR	0.022μF,16V
R8130		NRSA6AJ-101W	MG RESISTOR	100Ω,1/16W	C1103		NCBA1CK-223W	CAPACITOR	0.022μF,16V
R8131		NRSA6AJ-0R0W	MG RESISTOR	0Ω,1/16W	C1111		NCB30JK-105X	CAPACITOR	1μF,6.3V
R8132		NRSA6AJ-680W	MG RESISTOR	68Ω,1/16W	C1112		NBE90JM-106X	T CAPACITOR	10μF,6.3V
R8133		NRSA6AJ-0R0W	MG RESISTOR	0Ω,1/16W	C1113		NBE90JM-106X	T CAPACITOR	10μF,6.3V
R8134		NRSA6AJ-0R0W	MG RESISTOR	0Ω,1/16W	C1401		NDCA1HJ-150W	CAPACITOR	15pF,50V
R8135		NRSA6AJ-0R0W	MG RESISTOR	0Ω,1/16W	C1402		NDCA1HJ-150W	CAPACITOR	15pF,50V
R8401		NRSA6AJ-105W	MG RESISTOR	1MΩ,1/16W	C1403		NCBA1AK-104W	CAPACITOR	0.1μF,10V

#	△ REF No.	PART No.	PART NAME, DESCRIPTION	#	△ REF No.	PART No.	PART NAME, DESCRIPTION
C1404		NCBA1AK-104W	CAPACITOR 0.1μF,10V	C3033		NDC31HJ-470X	CAPACITOR 47pF,50V
C1405		NCBA1AK-104W	CAPACITOR 0.1μF,10V	C3034		NCBA1HK-102W	CAPACITOR 0.001μF,50V
C1406		NCBA1AK-104W	CAPACITOR 0.1μF,10V	C3035		NDC31HJ-390X	CAPACITOR 39pF,50V
C1407		NCBA1AK-104W	CAPACITOR 0.1μF,10V	C3038		NCBA1AK-104W	CAPACITOR 0.1μF,10V
C1414		NCBA1CK-103W	CAPACITOR 0.01μF,16V	C3039		NCBA1AK-104W	CAPACITOR 0.1μF,10V
C1415		NCBA1CK-103W	CAPACITOR 0.01μF,16V	C3040		NCBA1AK-104W	CAPACITOR 0.1μF,10V
C1416		NCBA1CK-103W	CAPACITOR 0.01μF,16V	C3041		NCBA1AK-104W	CAPACITOR 0.1μF,10V
C1417		NCBA1CK-223W	CAPACITOR 0.022μF,16V	C3042		NCBA1CK-103W	CAPACITOR 0.01μF,16V
C1418		NCBA1CK-223W	CAPACITOR 0.022μF,16V	C3043		NCBA1CK-103W	CAPACITOR 0.01μF,16V
C1419		NCBA1CK-223W	CAPACITOR 0.022μF,16V	C3044		NCBA1AK-104W	CAPACITOR 0.1μF,10V
C1420		NCBA1CK-223W	CAPACITOR 0.022μF,16V	C3045		NCBA1AK-104W	CAPACITOR 0.1μF,10V
C1601		NCBA1CK-103W	CAPACITOR 0.01μF,16V	C3046		NCBA1CK-103W	CAPACITOR 0.01μF,16V
C1602		NBE90JM-106X	T CAPACITOR 10μF,6.3V	C3047		NCBA1AK-104W	CAPACITOR 0.1μF,10V
C1603		NBE21AM-106X	T CAPACITOR 10μF,10V	C3051		NCBA1AK-104W	CAPACITOR 0.1μF,10V
C1605		NCBA1AK-104W	CAPACITOR 0.1μF,10V	C3052		NCBA1HK-331W	CAPACITOR 330pF,50V
C1606		NCBA1HK-152W	CAPACITOR 0.0015μF,50V	C3053		NCBA1AK-473W	CAPACITOR 0.047μF,10V
C1607		NCBA1AK-473W	CAPACITOR 0.047μF,10V	C3056		NCB30JK-105X	CAPACITOR 1μF,6.3V
C1614		NBE21AM-106X	T CAPACITOR 10μF,10V	C3057		NCBA1CK-103W	CAPACITOR 0.01μF,16V
C1618		NCBA1HK-222W	CAPACITOR 0.0022μF,50V	C3058		NCBA1CK-103W	CAPACITOR 0.01μF,16V
C1619		NCBA1HK-222W	CAPACITOR 0.0022μF,50V	C3060		NCB31CK-104X	CAPACITOR 0.1μF,16V
C1620		NCBA1HK-222W	CAPACITOR 0.0022μF,50V	C3061		NCB30JK-105X	CAPACITOR 1μF,6.3V
C1621		NCB21AK-105X	CAPACITOR 1μF,10V	C3062		NCBA1AK-104W	CAPACITOR 0.1μF,10V
C1622		NCBA1CK-223W	CAPACITOR 0.022μF,16V	C3063		NCBA1AK-104W	CAPACITOR 0.1μF,10V
C1623		NCBA1AK-473W	CAPACITOR 0.047μF,10V	C3501		NBE90JM-106X	T CAPACITOR 10μF,6.3V
C1624		NCB31EK-103X	CAPACITOR 0.01μF,25V	C3502		NBE90JM-106X	T CAPACITOR 10μF,6.3V
C1625		NCBA1AK-473W	CAPACITOR 0.047μF,10V	C3503		NBE90JM-106X	T CAPACITOR 10μF,6.3V
C1626		NCBA1HK-331W	CAPACITOR 330pF,50V	C3504		NCBA1AK-473W	CAPACITOR 0.047μF,10V
C1627		NCBA1CK-822W	CAPACITOR 0.0082μF,16V	C3505		NCBA1CK-223W	CAPACITOR 0.022μF,16V
C1628		NCB21CK-224X	CAPACITOR 0.22μF,16V	C3506		NCB30JK-105X	CAPACITOR 1μF,6.3V
C1632		NBE90JM-106X	T CAPACITOR 10μF,6.3V	C3507		NCBA1CK-103W	CAPACITOR 0.01μF,16V
C1633		NCF21CZ-684X	CAPACITOR 0.68μF,16V	C3508		NCBA1CK-103W	CAPACITOR 0.01μF,16V
C1635		NCBA1AK-104W	CAPACITOR 0.1μF,10V	C3509		NCBA1CK-103W	CAPACITOR 0.01μF,16V
C1641		NCB31AK-474X	CAPACITOR 0.47μF,10V	C3510		NCBA1AK-104W	CAPACITOR 0.1μF,10V
C1701		NCBA1AK-104W	CAPACITOR 0.1μF,10V	C3511		NCBA1CK-103W	CAPACITOR 0.01μF,16V
C1702		NCBA1AK-104W	CAPACITOR 0.1μF,10V	C3512		NCB31CK-104X	CAPACITOR 0.1μF,16V
C2701		NBE90JM-106X	T CAPACITOR 10μF,6.3V	C3513		NCBA1AK-104W	CAPACITOR 0.1μF,10V
C2907		NCB30JK-105X	CAPACITOR 1μF,6.3V	C3514		NCBA1AK-473W	CAPACITOR 0.047μF,10V
C3001		NBE90JM-106X	T CAPACITOR 10μF,6.3V	C3515		NCBA1AK-473W	CAPACITOR 0.047μF,10V
C3003		NCB30JK-105X	CAPACITOR 1μF,6.3V	C3516		NCBA1AK-473W	CAPACITOR 0.047μF,10V
C3004		NCB30JK-105X	CAPACITOR 1μF,6.3V	C3517		NCBA1CK-103W	CAPACITOR 0.01μF,16V
C3005		NBE90JM-106X	T CAPACITOR 10μF,6.3V	C3518		NCBA1CK-103W	CAPACITOR 0.01μF,16V
C3007		NCB30JK-105X	CAPACITOR 1μF,6.3V	C3519		NCBA1HK-102W	CAPACITOR 0.001μF,50V
C3008		NBE90JM-106X	T CAPACITOR 10μF,6.3V	C3520		NCBA1AK-104W	CAPACITOR 0.1μF,10V
C3011		NCBA1AK-104W	CAPACITOR 0.1μF,10V	C3521		NCBA1AK-104W	CAPACITOR 0.1μF,10V
C3012		NCBA1AK-104W	CAPACITOR 0.1μF,10V	C3522		NBE90JM-475X	T CAPACITOR 4.7μF,6.3V
C3013		NCBA1CK-103W	CAPACITOR 0.01μF,16V	C3523		NCBA1CK-103W	CAPACITOR 0.01μF,16V
C3014		NCBA1CK-103W	CAPACITOR 0.01μF,16V	C3524		NCBA1AK-104W	CAPACITOR 0.1μF,10V
C3015		NCBA1CK-103W	CAPACITOR 0.01μF,16V	C3525		NBE90JM-475X	T CAPACITOR 4.7μF,6.3V
C3016		NCBA1AK-104W	CAPACITOR 0.1μF,10V	C3526		NCBA1CK-103W	CAPACITOR 0.01μF,16V
C3017		NCBA1AK-104W	CAPACITOR 0.1μF,10V	C3527		NDCA1EJ-221W	CAPACITOR 220pF,25V
C3020		NCBA1AK-104W	CAPACITOR 0.1μF,10V	C3701		NBE90JM-106X	T CAPACITOR 10μF,6.3V
C3021		NCBA1AK-104W	CAPACITOR 0.1μF,10V	C3702		NDCA1HJ-151W	CAPACITOR 150pF,50V
C3022		NCBA1AK-104W	CAPACITOR 0.1μF,10V	C3703		NDCA1HJ-330W	CAPACITOR 33pF,50V
C3023		NDC31HJ-330X	CAPACITOR 33pF,50V	C3704		NDCA1HJ-101W	CAPACITOR 100pF,50V
C3024		NCBA1HK-102W	CAPACITOR 0.001μF,50V	C3705		NDCA1HJ-330W	CAPACITOR 33pF,50V
C3025		NCBA1AK-104W	CAPACITOR 0.1μF,10V	C3706		NCBA1CK-103W	CAPACITOR 0.01μF,16V
C3026		NCB30JK-105X	CAPACITOR 1μF,6.3V	C3707		NCA1AZ-104W	CAPACITOR 0.1μF,10V
C3027		NCBA1EK-472W	CAPACITOR 0.0047μF,25V	C3708		NCB30JK-105X	CAPACITOR 1μF,6.3V
C3028		NDCA1EJ-271W	CAPACITOR 270pF,25V	C3709		NCBA1CK-103W	CAPACITOR 0.01μF,16V
C3029		NCBA1CK-103W	CAPACITOR 0.01μF,16V	C3710		NCBA1CK-103W	CAPACITOR 0.01μF,16V
C3030		NCBA1AK-104W	CAPACITOR 0.1μF,10V	C3711		NBE90GM-226X	T CAPACITOR 22μF,4.0V
C3031		NCBA1AK-104W	CAPACITOR 0.1μF,10V	C3712		NBE40GM-107X	T CAPACITOR 100μF,4.0V
C3032		NCBA1HK-102W	CAPACITOR 0.001μF,50V	C4201		NBE40GM-107X	T CAPACITOR 100μF,4.0V

#	△ REF No.	PART No.	PART NAME, DESCRIPTION	#	△ REF No.	PART No.	PART NAME, DESCRIPTION
C4202		NCBA1AK-104W	CAPACITOR 0.1μF,10V	C5504		NCBA1AK-104W	CAPACITOR 0.1μF,10V
C4203		NCB30JK-105X	CAPACITOR 1μF,6.3V	C5505		NCBA1AK-104W	CAPACITOR 0.1μF,10V
C4204		NCBA1AK-104W	CAPACITOR 0.1μF,10V	C5506		NBE20GM-476X	T CAPACITOR 47μF,4.0V
C4205		NCBA1AK-104W	CAPACITOR 0.1μF,10V	C5507		NCBA1AK-104W	CAPACITOR 0.1μF,10V
C4206		NCB21CK-105X	CAPACITOR 1μF,16V	C5508		NCBA1AK-104W	CAPACITOR 0.1μF,10V
C4207		NCBA1AK-104W	CAPACITOR 0.1μF,10V	C5509		NCBA1AK-104W	CAPACITOR 0.1μF,10V
C4208		NCBA1HK-392W	CAPACITOR 0.0039μF,50V	C5510		NBP21VM-105X	T CAPACITOR 1μF,35V
C4209		NCB21CK-105X	CAPACITOR 1μF,16V	C5511		NBP21DM-475X	T CAPACITOR 4.7μF,20V
C4210		NCBA1AK-104W	CAPACITOR 0.1μF,10V	C5512		NBE21AM-106X	T CAPACITOR 10μF,10V
C4211		NCBA1AK-104W	CAPACITOR 0.1μF,10V	C5513		NCB31CK-104X	CAPACITOR 0.1μF,16V
C4212		NCBA1AK-104W	CAPACITOR 0.1μF,10V	C5514		NCBA1AK-104W	CAPACITOR 0.1μF,10V
C4213		NCBA1AK-104W	CAPACITOR 0.1μF,10V	C5515		NCBA1AK-104W	CAPACITOR 0.1μF,10V
C4214		NCBA1AK-104W	CAPACITOR 0.1μF,10V	C5516		NCBA1AK-104W	CAPACITOR 0.1μF,10V
C4215		NCBA1AK-104W	CAPACITOR 0.1μF,10V	C5517		NCB31CK-104X	CAPACITOR 0.1μF,16V
C4216		NCBA1AK-104W	CAPACITOR 0.1μF,10V	C5518		NCBA1AK-104W	CAPACITOR 0.1μF,10V
C4301		NCBA1AK-104W	CAPACITOR 0.1μF,10V	C5519		NCBA1AK-104W	CAPACITOR 0.1μF,10V
C4303		NCBA1AK-104W	CAPACITOR 0.1μF,10V	C6001		NCBA1AK-104W	CAPACITOR 0.1μF,10V
C4304		NCBA1AK-104W	CAPACITOR 0.1μF,10V	C6002		NCBA1CK-103W	CAPACITOR 0.01μF,16V
C4305		NBE90JM-106X	T CAPACITOR 10μF,6.3V	C6003		NCBA1AK-104W	CAPACITOR 0.1μF,10V
C4306		NCBA1AK-104W	CAPACITOR 0.1μF,10V	C6004		NBE90JM-106X	T CAPACITOR 10μF,6.3V
C4307		NBE90JM-106X	T CAPACITOR 10μF,6.3V	C6005		NBP21CM-685X	T CAPACITOR 6.8μF,16V
C4308		NCBA1AK-104W	CAPACITOR 0.1μF,10V	C6006		NCF31AZ-105X	CAPACITOR 1μF,10V
C4309		NCBA1AK-104W	CAPACITOR 0.1μF,10V	C6007		NBE90JM-106X	T CAPACITOR 10μF,6.3V
C4310		NBE90JM-106X	T CAPACITOR 10μF,6.3V	C6008		NCBA1AK-104W	CAPACITOR 0.1μF,10V
C4311		NCB30JK-105X	CAPACITOR 1μF,6.3V	C6009		NCBA1CK-103W	CAPACITOR 0.01μF,16V
C4312		NCBA1AK-104W	CAPACITOR 0.1μF,10V	C6101		NCB21CK-105X	CAPACITOR 1μF,16V
C4313		NBE90GM-226X	T CAPACITOR 22μF,4.0V	C6102		NCB21CK-105X	CAPACITOR 1μF,16V
C4314		NCBA1AK-104W	CAPACITOR 0.1μF,10V	C6103		NBPE1CM-106X	T CAPACITOR 10μF,16V
C4315		NBE90JM-106X	T CAPACITOR 10μF,6.3V	C6104		NCBA1AK-104W	CAPACITOR 0.1μF,10V
C4317		NCBA1AK-104W	CAPACITOR 0.1μF,10V	C6105		NCF31AZ-105X	CAPACITOR 1μF,10V
C4318		NCBA1AK-104W	CAPACITOR 0.1μF,10V	C6106		NCBA1CK-103W	CAPACITOR 0.01μF,16V
C4319		NCBA1AK-104W	CAPACITOR 0.1μF,10V	C6107		NCB21CK-105X	CAPACITOR 1μF,16V
C4320		NCBA1AK-104W	CAPACITOR 0.1μF,10V	C6108		NCF31AZ-105X	CAPACITOR 1μF,10V
C4321		NCBA1AK-104W	CAPACITOR 0.1μF,10V	C6109		NCBA1EK-472W	CAPACITOR 0.0047μF,25V
C4322		NCBA1AK-104W	CAPACITOR 0.1μF,10V	C6110		NCBA1AK-104W	CAPACITOR 0.1μF,10V
C4324		NBE90JM-106X	T CAPACITOR 10μF,6.3V	C6111		NCBA1AK-104W	CAPACITOR 0.1μF,10V
C4325		NCBA1AK-104W	CAPACITOR 0.1μF,10V	C6112		NCBA1HK-272W	CAPACITOR 0.0027μF,50V
C4327		NCBA1AK-104W	CAPACITOR 0.1μF,10V	C6113		NCBA1EK-472W	CAPACITOR 0.0047μF,25V
C4328		NCBA1AK-104W	CAPACITOR 0.1μF,10V	C6114		NCBA1AK-104W	CAPACITOR 0.1μF,10V
C4329		NCBA1AK-104W	CAPACITOR 0.1μF,10V	C6115		NCBA1HK-561W	CAPACITOR 560pF,50V
C4330		NCBA1AK-104W	CAPACITOR 0.1μF,10V	C6116		NCBA1HK-561W	CAPACITOR 560pF,50V
C4331		NBE90JM-106X	T CAPACITOR 10μF,6.3V	C6117		NCBA1HK-102W	CAPACITOR 0.001μF,50V
C4332		NCBA1AK-104W	CAPACITOR 0.1μF,10V	C6118		NCBA1HK-102W	CAPACITOR 0.001μF,50V
C4333		NCBA1AK-104W	CAPACITOR 0.1μF,10V	C6120		NCBA1CK-103W	CAPACITOR 0.01μF,16V
C4334		NCBA1AK-104W	CAPACITOR 0.1μF,10V	C6121		NCBA1HK-102W	CAPACITOR 0.001μF,50V
C4335		NCBA1AK-104W	CAPACITOR 0.1μF,10V	C6122		NDCA1HJ-101W	CAPACITOR 100pF,50V
C4336		NCBA1AK-104W	CAPACITOR 0.1μF,10V	C6123		NBE90JM-106X	T CAPACITOR 10μF,6.3V
C4337		NCBA1AK-104W	CAPACITOR 0.1μF,10V	C6124		NCF31AZ-105X	CAPACITOR 1μF,10V
C4338		NCBA1AK-104W	CAPACITOR 0.1μF,10V	C6125		NCB21CK-105X	CAPACITOR 1μF,16V
C4339		NCBA1AK-104W	CAPACITOR 0.1μF,10V	C6126		NCB10JK-106X	CAPACITOR 10μF,6.3V
C4340		NCBA1AK-104W	CAPACITOR 0.1μF,10V	C6127		NCB21CK-105X	CAPACITOR 1μF,16V
C4341		NCBA1AK-104W	CAPACITOR 0.1μF,10V	C6128		NCB10JK-106X	CAPACITOR 10μF,6.3V
C4342		NCBA1AK-104W	CAPACITOR 0.1μF,10V	C6129		NCB21CK-105X	CAPACITOR 1μF,16V
C4343		NCBA1AK-104W	CAPACITOR 0.1μF,10V	C6130		NCB21CK-105X	CAPACITOR 1μF,16V
C4344		NCBA1AK-104W	CAPACITOR 0.1μF,10V	C6132		NCB21CK-105X	CAPACITOR 1μF,16V
C4345		NCBA1AK-104W	CAPACITOR 0.1μF,10V	C6133		NCB21AK-225X	CAPACITOR 2.2μF,10V
C4346		NCBA1AK-104W	CAPACITOR 0.1μF,10V	C6135		NCB21CK-105X	CAPACITOR 1μF,16V
C4347		NCBA1AK-104W	CAPACITOR 0.1μF,10V	C6136		NCB10JK-106X	CAPACITOR 10μF,6.3V
C4348		NCBA1AK-104W	CAPACITOR 0.1μF,10V	C6137		NCB21CK-105X	CAPACITOR 1μF,16V
C4349		NCBA1AK-104W	CAPACITOR 0.1μF,10V	C6138		NCB21CK-105X	CAPACITOR 1μF,16V
C4350		NCBA1AK-104W	CAPACITOR 0.1μF,10V	C6139		NCB21CK-105X	CAPACITOR 1μF,16V
C5501		NCBA1AK-104W	CAPACITOR 0.1μF,10V	C6140		NCB11EK-105X	CAPACITOR 1μF,25V
C5503		NCBA1AK-104W	CAPACITOR 0.1μF,10V	C6141		NCB11EK-105X	CAPACITOR 1μF,25V

#	△ REF No.	PART No.	PART NAME, DESCRIPTION	#	△ REF No.	PART No.	PART NAME, DESCRIPTION
C6142		NCB21CK-105X	CAPACITOR 1μF,16V	C7839		NCB21CK-105X	CAPACITOR 1μF,16V
C6143		NCBA1CK-103W	CAPACITOR 0.01μF,16V	C7841		NBE90JM-106X	T CAPACITOR 10μF,6.3V
C6144		NCBA1AK-104W	CAPACITOR 0.1μF,10V	C8001		NBE90JM-106X	T CAPACITOR 10μF,6.3V
C6145		NCB21CK-105X	CAPACITOR 1μF,16V	C8003		NCBA1CK-103W	CAPACITOR 0.01μF,16V
C6147		NCB31AK-224X	CAPACITOR 0.22μF,10V	C8006		NCBA1AK-104W	CAPACITOR 0.1μF,10V
C6148		NCBA1AK-683W	CAPACITOR 0.068μF,10V	C8007		NBE90JM-106X	T CAPACITOR 10μF,6.3V
C6149		NCB21CK-105X	CAPACITOR 1μF,16V	C8008		NCB30JK-105X	CAPACITOR 1μF,6.3V
C7401		NCB21AK-105X	CAPACITOR 1μF,10V	C8009		NCBA1AK-104W	CAPACITOR 0.1μF,10V
C7403		NCBA1AK-104W	CAPACITOR 0.1μF,10V	C8010		NBE90JM-106X	T CAPACITOR 10μF,6.3V
C7404		NCBA1AK-104W	CAPACITOR 0.1μF,10V	C8011		NCB30JK-105X	CAPACITOR 1μF,6.3V
C7405		NCB31HK-103X	CAPACITOR 0.01μF,50V	C8017		NCBA1AK-104W	CAPACITOR 0.1μF,10V
C7406		NCB21CK-105X	CAPACITOR 1μF,16V	C8020		NBE90JM-106X	T CAPACITOR 10μF,6.3V
C7407		NCB21CK-105X	CAPACITOR 1μF,16V	C8021		NCBA1CK-103W	CAPACITOR 0.01μF,16V
C7408		NCB21CK-105X	CAPACITOR 1μF,16V	C8022		NCB30JK-105X	CAPACITOR 1μF,6.3V
C7411		NCB21CK-105X	CAPACITOR 1μF,16V	C8043		NCBA1CK-103W	CAPACITOR 0.01μF,16V
C7413		NBP41DM-106X	T CAPACITOR 10μF,20V	C8044		NBE90GM-226X	T CAPACITOR 22μF,4.0V
C7414		NCBA1CK-103W	CAPACITOR 0.01μF,16V	C8045		NBE90GM-226X	T CAPACITOR 22μF,4.0V
C7415		NBE20GM-476X	T CAPACITOR 47μF,4.0V	C8046		NBE90JM-106X	T CAPACITOR 10μF,6.3V
C7416		NCBA1CK-103W	CAPACITOR 0.01μF,16V	C8049		NCBA1CK-103W	CAPACITOR 0.01μF,16V
C7418		NCBA1AK-104W	CAPACITOR 0.1μF,10V	C8049		NCBA1CK-103W	CAPACITOR 0.01μF,16V
C7419		NCBA1AK-104W	CAPACITOR 0.1μF,10V	C8050		NCBA1CK-103W	CAPACITOR 0.01μF,16V
C7420		NCBA1AK-104W	CAPACITOR 0.1μF,10V	C8051		NBE90GM-226X	T CAPACITOR 22μF,4.0V
C7421		NDCA1HJ-300W	CAPACITOR 30pF,50V	C8052		NCBA1CK-103W	CAPACITOR 0.01μF,16V
C7422		NDCA1EJ-221W	CAPACITOR 220pF,25V	C8054		NCB31HK-392X	CAPACITOR 0.0039μF,50V
C7423		NCBA1CK-103W	CAPACITOR 0.01μF,16V	C8064		NBE90GM-226X	T CAPACITOR 22μF,4.0V
C7424		NCBA1EK-682W	CAPACITOR 0.0068μF,25V	C8101		NBE90JM-106X	T CAPACITOR 10μF,6.3V
C7425		NBE91AM-335X	T CAPACITOR 3.3μF,10V	C8102		NBE90JM-106X	T CAPACITOR 10μF,6.3V
C7427		NBP41DM-106X	T CAPACITOR 10μF,20V	C8103		NCBA1CK-103W	CAPACITOR 0.01μF,16V
C7429		NBE21AM-106X	T CAPACITOR 10μF,10V	C8104		NCBA1CK-103W	CAPACITOR 0.01μF,16V
C7430		NCBA1CK-103W	CAPACITOR 0.01μF,16V	C8105		NCBA1CK-103W	CAPACITOR 0.01μF,16V
C7431		NBE90JM-106X	T CAPACITOR 10μF,6.3V	C8106		NCBA1CK-103W	CAPACITOR 0.01μF,16V
C7701		NCB21EK-104X	CAPACITOR 0.1μF,25V	C8107		NCBA1CK-103W	CAPACITOR 0.01μF,16V
C7702		NBP41VM-335X	T CAPACITOR 3.3μF,35V	C8108		NCBA1CK-103W	CAPACITOR 0.01μF,16V
C7802		NCBA1AK-104W	CAPACITOR 0.1μF,10V	C8109		NCBA1CK-103W	CAPACITOR 0.01μF,16V
C7803		NDCA1HJ-300W	CAPACITOR 30pF,50V	C8110		NCBA1CK-103W	CAPACITOR 0.01μF,16V
C7804		NCBA1CK-103W	CAPACITOR 0.01μF,16V	C8111		NCBA1CK-103W	CAPACITOR 0.01μF,16V
C7805		NCBA1EK-682W	CAPACITOR 0.0068μF,25V	C8112		NCBA1CK-103W	CAPACITOR 0.01μF,16V
C7806		NBE91AM-335X	T CAPACITOR 3.3μF,10V	C8113		NCBA1CK-103W	CAPACITOR 0.01μF,16V
C7807		NDCA1EJ-221W	CAPACITOR 220pF,25V	C8114		NCBA1CK-103W	CAPACITOR 0.01μF,16V
C7808		NCBA1AK-104W	CAPACITOR 0.1μF,10V	C8115		NCBA1CK-103W	CAPACITOR 0.01μF,16V
C7809		NCBA1CK-103W	CAPACITOR 0.01μF,16V	C8116		NCBA1CK-103W	CAPACITOR 0.01μF,16V
C7810		NCB21CK-105X	CAPACITOR 1μF,16V	C8117		NDCA1HJ-5R0W	CAPACITOR 5pF,50V
C7811		NCB21CK-105X	CAPACITOR 1μF,16V	C8118		NDCA1HJ-5R0W	CAPACITOR 5pF,50V
C7812		NCB21CK-105X	CAPACITOR 1μF,16V	C8119		NCBA1CK-103W	CAPACITOR 0.01μF,16V
C7816		NCB21CK-105X	CAPACITOR 1μF,16V	C8401		NBE90JM-106X	T CAPACITOR 10μF,6.3V
C7817		NCBA1AK-104W	CAPACITOR 0.1μF,10V	C8402		NCBA1AK-104W	CAPACITOR 0.1μF,10V
C7818		NCBA1CK-103W	CAPACITOR 0.01μF,16V	C8403		NCBA1AK-104W	CAPACITOR 0.1μF,10V
C7819		NBP41DM-106X	T CAPACITOR 10μF,20V	C8404		NCBA1AK-104W	CAPACITOR 0.1μF,10V
C7820		NCBA1AK-104W	CAPACITOR 0.1μF,10V	C8408		NBE90JM-106X	T CAPACITOR 10μF,6.3V
C7821		NBE90JM-106X	T CAPACITOR 10μF,6.3V	L1002		NQR0129-002X	FERRITE BEAD
C7822		NBE20GM-476X	T CAPACITOR 47μF,4.0V	L1101		NQL402M-100X	COIL 10μH
C7823		NCBA1AK-104W	CAPACITOR 0.1μF,10V	L1401		NQR0006-001X	FERRITE BEAD
C7825		NCBA1AK-104W	CAPACITOR 0.1μF,10V	L1601		NQL315M-1R0X	COIL 1μH
C7826		NCBA1AK-104W	CAPACITOR 0.1μF,10V	L2701		NQR0129-002X	FERRITE BEAD
C7827		NCBA1AK-104W	CAPACITOR 0.1μF,10V	L3001		NQR0006-001X	FERRITE BEAD
C7828		NBP21DM-475X	T CAPACITOR 4.7μF,20V	L3002		NQR0129-002X	FERRITE BEAD
C7829		NCB21CK-105X	CAPACITOR 1μF,16V	L3003		NQR0129-002X	FERRITE BEAD
C7830		NCBA1AK-104W	CAPACITOR 0.1μF,10V	L3004		NQR0006-001X	FERRITE BEAD
C7831		NCBA1AK-104W	CAPACITOR 0.1μF,10V	L3005		NQR0129-002X	FERRITE BEAD
C7832		NCBA1CK-103W	CAPACITOR 0.01μF,16V	L3006		NQR0006-001X	FERRITE BEAD
C7833		NCB21CK-105X	CAPACITOR 1μF,16V	L3007		NQL085J-2R2X	COIL 2.2μH
C7836		NBE90JM-106X	T CAPACITOR 10μF,6.3V	L3008		NQL085J-120X	COIL 12μH
C7838		NBE90JM-106X	T CAPACITOR 10μF,6.3V	L3009		NQL085J-120X	COIL 12μH
				L3010		NQR0383-003X	COIL

#	△ REF No.	PART No.	PART NAME, DESCRIPTION	#	△ REF No.	PART No.	PART NAME, DESCRIPTION	
L3011		NQR0383-003X	COIL	TB1		LY32205-001A	BATTERY TERMINAL UNIT	
L3012		NQR0006-001X	FERRITE BEAD	J101		QNZ0518-001	D CONNECTOR	
L3013		NQR0006-001X	FERRITE BEAD	CN101		QGF0517F1-08X	FPC CONNECTOR	
L3501		NQR0129-002X	FERRITE BEAD	CN102		QGF0517F1-06X	FPC CONNECTOR	
L3502		NQL402M-100X	COIL	10μH	CN103	QGF0517F1-06X	FPC CONNECTOR	
L3503		NQR0006-001X	FERRITE BEAD	CN104		QGF0517F2-11X	FPC CONNECTOR	
L3504		NQR0006-001X	FERRITE BEAD	CN105		QGF0517F2-18X	FPC CONNECTOR	
L3505		NQR0006-001X	FERRITE BEAD	CN106		QGF0517F2-16X	FPC CONNECTOR	
L3701		NQL38DK-100X	COIL	10μH	CN107	QGB0404M1-50X	CONNECTOR	
L4201		NQR0129-002X	FERRITE BEAD	CN108		QGA1001F1-02X	CONNECTOR	
L4301		NQR0129-002X	FERRITE BEAD	CN109		QGF0520F2-13X	FFC/FPC CONNECTOR	
L4302		NQR0129-002X	FERRITE BEAD	CN110		QGB0405L1-C0X	CONNECTOR	
L4303		NQL38DK-100X	COIL	10μH	CN111	QGF0517F1-20X	FPC CONNECTOR	
L4304		NQL38DK-220X	COIL	22μH	CN112	QGF0517F1-07X	FPC CONNECTOR	
L4305		NQR0129-002X	FERRITE BEAD	CN113		QGF0306F1-39X	FPC CONNECTOR	
L4306		NQR0129-002X	FERRITE BEAD	CN114		QGB0512L4-40X	CONNECTOR	
L4307		NQL38DK-100X	COIL	10μH	△ F6101	NMFZ007-2R0X-K	FUSE	T2.0A,50V
L5501		NQL38DK-100X	COIL	10μH	△ F6102	NMFZ007-2R0X-K	FUSE	T2.0A,50V
L5502		NQR0129-002X	FERRITE BEAD	△ F6103	NMFZ007-1R0X-K	FUSE	T1.0A,32V	
L5503		NQR0129-002X	FERRITE BEAD	OT1	LY30029-0J6A	SPACER(A)		
L5504		NQR0129-002X	FERRITE BEAD	OT2	LY30029-0K2A	SPACER(A)		
L5505		NQL38DK-100X	COIL	10μH	OT3	LY30029-0K3A	SPACER(A)	
L5506		NQL38DK-100X	COIL	10μH	△ OT4	LY43187-001A	LABEL(FUSE)	
L6001		NQL402M-100X	COIL	10μH	OT5	LY30017-026A	SPACER-B	
L6101		NQL58EM-100X	COIL	10μH	OT6	LY30029-0M5A	SPACER(A)	
L6102		NQL58EM-100X	COIL	10μH	SD1	LY32271-001A	SHIELD CASE(PR)	
L6103		NQLZ010-390X	COIL	39μH				
L6104		NQL58EM-390X	COIL	39μH				
L6105		NQL58EM-390X	COIL	39μH				
L6106		NQL58EM-220X	COIL	22μH				
L6107		NQL58EM-330X	COIL	33μH				
L6108		NQLZ011-221X	COIL	220μH				
L6109		NQL144K-220X	COIL	22μH				
L7401		NQL025J-100X	COIL	10μH				
L7402		NQL38DK-220X	COIL	22μH				
L7403		NQL38DK-220X	COIL	22μH				
L7404		NQL38DK-220X	COIL	22μH				
L7701		NQL38DK-220X	COIL	22μH				
L7801		NQL38DK-220X	COIL	22μH				
L7802		NQL38DK-220X	COIL	22μH				
L7803		NQL025J-3R9X	COIL	3.9μH				
L7805		NQL38DK-220X	COIL	22μH				
L8001		NQR0129-002X	FERRITE BEAD					
L8002		NQR0129-002X	FERRITE BEAD					
L8003		NQR0129-002X	FERRITE BEAD					
L8005		NQR0129-002X	FERRITE BEAD					
L8006		NQR0129-002X	FERRITE BEAD					
L8007		NQR0129-002X	FERRITE BEAD					
L8008		NQR0129-002X	FERRITE BEAD					
L8010		NQR0129-002X	FERRITE BEAD					
L8011		NQR0129-002X	FERRITE BEAD					
L8101		NQR0006-001X	FERRITE BEAD					
L8102		NQR0006-001X	FERRITE BEAD					
L8401		NQR0129-002X	FERRITE BEAD					
L8402		NQR0129-002X	FERRITE BEAD					
X1001		NAX0474-001X	C OSCILLATOR					
X1002		NAX0399-001X	CRYSTAL RESONATOR					
X1401		NAX0204-001X	CRYSTAL RESONATOR					
X5501		NAX0303-001X	CXO					
X8002		NAX0354-001X	RESONATOR					
X8101		NAX0402-001X	CRYSTAL RESONATOR					
X8401		NAX0398-001X	C OSCILLATOR					
S1001		NSW0133-001X	PUSH SWITCH,MONI SW					

AUDIO BOARD ASSEMBLY <02>								
				PW		YB10328A-01	AUDIO BOARD ASSY	
				IC2101		AK4550VT	IC	
				IC2151		AK4550VT	IC	
				IC2201		LA74206W	IC	
				IC2301		BA4510FV	IC	
				IC4802		TA75W01FU	IC	
				IC4803		TA75W01FU	IC	
				IC4804		NJM3414AV	IC	
				IC4805		MM6564XFBE	IC	
				IC4806		TC7S08FU	IC(DIGITAL)	
				IC4851		UPD16879GS	IC	
				Q1151		RPM-22PB	PHOTO TRANSISTOR	
				Q2001		DTC143XE	TRANSISTOR	
				Q2151		UMX18N	PAIR TRANSISTOR	
				Q2302		2SC5658	TRANSISTOR	
				Q2401		2SC5658	TRANSISTOR	
				Q2402		2SA1774/QR/-X	TRANSISTOR	
				Q2403		DTC144EM	TRANSISTOR	
				Q2601		2SC5658	TRANSISTOR	
				Q2602		2SC5658	TRANSISTOR	
				Q2603		2SC5658	TRANSISTOR	
				Q2604		2SC5658	TRANSISTOR	
				Q2901		2SB1121/TU/-X	TRANSISTOR	
						or 2SB1121/ST/-X	TRANSISTOR	
				Q2902		2SC5658	TRANSISTOR	
				Q4801		2SC4655/BC/-X	TRANSISTOR	
				Q4802		2SC5658	TRANSISTOR	
				Q4803		DTC144EM	TRANSISTOR	
				Q4804		DTA144EM	TRANSISTOR	

#	△ REF No.	PART No.	PART NAME, DESCRIPTION	#	△ REF No.	PART No.	PART NAME, DESCRIPTION	
	Q4805	2SC5658	TRANSISTOR	R2404	NRSA6AJ-332W	MG RESISTOR		3.3kΩ, 1/16W
	Q4806	2SA1774/QR/-X	TRANSISTOR	R2405	NRSA6AJ-822W	MG RESISTOR		8.2kΩ, 1/16W
	Q4851	2SC5658	TRANSISTOR	R2406	NRSA6AJ-103W	MG RESISTOR		10kΩ, 1/16W
	D2001	CL-221HR-C-X	LE DIODE	R2414	NRSA6AJ-560W	MG RESISTOR		56Ω, 1/16W
	D2901	EMZ6.8N	ZENER DIODE	R2415	NRSA6AJ-560W	MG RESISTOR		56Ω, 1/16W
		or DF3A6.8FE	ZENER DIODE	R2601	NRSA6AJ-182W	MG RESISTOR		1.8kΩ, 1/16W
	D2902	EMZ6.8N	ZENER DIODE	R2602	NRSA6AJ-182W	MG RESISTOR		1.8kΩ, 1/16W
		or DF3A6.8FE	ZENER DIODE	R2603	NRSA6AJ-472W	MG RESISTOR		4.7kΩ, 1/16W
	D2903	EMZ6.8N	ZENER DIODE	R2604	NRSA6AJ-472W	MG RESISTOR		4.7kΩ, 1/16W
		or DF3A6.8FE	ZENER DIODE	R2605	NRSA6AJ-682W	MG RESISTOR		6.8kΩ, 1/16W
	R1151	NRSA6AJ-302W	MG RESISTOR					3kΩ, 1/16W
	R2001	NRSA6AJ-471W	MG RESISTOR	R2606	NRSA6AJ-682W	MG RESISTOR		6.8kΩ, 1/16W
	R2101	NRSA6AJ-471W	MG RESISTOR	R2607	NRSA6AJ-332W	MG RESISTOR		3.3kΩ, 1/16W
	R2102	NRSA6AJ-471W	MG RESISTOR	R2609	NRSA6AJ-472W	MG RESISTOR		4.7kΩ, 1/16W
	R2103	NRSA6AJ-0R0W	MG RESISTOR	R2610	NRSA6AJ-472W	MG RESISTOR		4.7kΩ, 1/16W
	R2104	NRSA6AJ-0R0W	MG RESISTOR	R2611	NRSA6AJ-472W	MG RESISTOR		4.7kΩ, 1/16W
	R2105	NRSA6AJ-0R0W	MG RESISTOR	R2612	NRSA6AJ-472W	MG RESISTOR		4.7kΩ, 1/16W
	R2151	NRSA6AJ-471W	MG RESISTOR	R2613	NRSA6AJ-332W	MG RESISTOR		3.3kΩ, 1/16W
	R2152	NRSA6AJ-471W	MG RESISTOR	R2614	NRSA6AJ-332W	MG RESISTOR		3.3kΩ, 1/16W
	R2153	NRSA6AJ-0R0W	MG RESISTOR	R2615	NRSA6AJ-123W	MG RESISTOR		12kΩ, 1/16W
	R2154	NRSA6AJ-0R0W	MG RESISTOR	R2616	NRSA6AJ-123W	MG RESISTOR		12kΩ, 1/16W
	R2157	NRSA6AJ-0R0W	MG RESISTOR	R2617	NRSA6AJ-333W	MG RESISTOR		33kΩ, 1/16W
	R2158	NRSA6AJ-332W	MG RESISTOR	R2618	NRSA6AJ-333W	MG RESISTOR		33kΩ, 1/16W
	R2159	NRSA6AJ-564W	MG RESISTOR	R2619	NRSA6AJ-153W	MG RESISTOR		15kΩ, 1/16W
	R2160	NRSA6AJ-564W	MG RESISTOR	R2620	NRSA6AJ-153W	MG RESISTOR		15kΩ, 1/16W
	R2161	NRSA6AJ-103W	MG RESISTOR	R2621	NRSA6AJ-153W	MG RESISTOR		15kΩ, 1/16W
	R2162	NRSA6AJ-103W	MG RESISTOR	R2622	NRSA6AJ-153W	MG RESISTOR		15kΩ, 1/16W
	R2201	NRSA6AJ-103W	MG RESISTOR	R2625	NRSA6AJ-103W	MG RESISTOR		10kΩ, 1/16W
	R2202	NRSA6AJ-103W	MG RESISTOR	R2626	NRSA6AJ-103W	MG RESISTOR		10kΩ, 1/16W
	R2206	NRSA6AJ-472W	MG RESISTOR	R2627	NRSA6AJ-102W	MG RESISTOR		1kΩ, 1/16W
	R2209	NRSA6AJ-2R7W	MG RESISTOR	R2628	NRSA6AJ-102W	MG RESISTOR		1kΩ, 1/16W
	R2210	NRSA6AJ-2R7W	MG RESISTOR	R2903	NRSA6AJ-103W	MG RESISTOR		10kΩ, 1/16W
	R2211	NRSA6AJ-0R0W	MG RESISTOR	R2905	NRSA6AJ-102W	MG RESISTOR		1kΩ, 1/16W
	R2212	NRSA6AJ-472W	MG RESISTOR	R2906	NRSA6AJ-103W	MG RESISTOR		10kΩ, 1/16W
	R2213	NRSA6AJ-823W	MG RESISTOR	R2907	NRSA6AJ-473W	MG RESISTOR		47kΩ, 1/16W
	R2214	NRSA6AJ-392W	MG RESISTOR	R2908	NRSA6AJ-473W	MG RESISTOR		47kΩ, 1/16W
	R2215	NRSA6AJ-0R0W	MG RESISTOR	R2919	NRSA6AJ-105W	MG RESISTOR		1MΩ, 1/16W
	R2218	NRSA6AJ-103W	MG RESISTOR	R2920	NRSA6AJ-105W	MG RESISTOR		1MΩ, 1/16W
	R2219	NRSA6AJ-102W	MG RESISTOR	R4804	NRSA6AJ-564W	MG RESISTOR		560kΩ, 1/16W
	R2220	NRSA6AJ-102W	MG RESISTOR	R4805	NRSA6AJ-103W	MG RESISTOR		10kΩ, 1/16W
	R2223	NRSA6AJ-0R0W	MG RESISTOR	R4806	NRSA6AJ-683W	MG RESISTOR		68kΩ, 1/16W
	R2224	NRSA6AJ-0R0W	MG RESISTOR	R4807	NRSA6AJ-683W	MG RESISTOR		68kΩ, 1/16W
	R2225	NRSA6AJ-0R0W	MG RESISTOR	R4808	NRSA6AJ-243W	MG RESISTOR		24kΩ, 1/16W
	R2226	NRSA6AJ-0R0W	MG RESISTOR	R4809	NRSA6AJ-331W	MG RESISTOR		33Ω, 1/16W
	R2301	NRSA6AJ-560W	MG RESISTOR	R4810	NRSA6AJ-103W	MG RESISTOR		10kΩ, 1/16W
	R2302	NRSA6AJ-560W	MG RESISTOR	R4811	NRSA6AJ-564W	MG RESISTOR		560kΩ, 1/16W
	R2303	NRSA6AJ-0R0W	MG RESISTOR	R4812	NRSA6AJ-153W	MG RESISTOR		15kΩ, 1/16W
	R2305	NRSA6AJ-183W	MG RESISTOR	R4814	NRSA6AJ-105W	MG RESISTOR		1MΩ, 1/16W
	R2306	NRSA6AJ-183W	MG RESISTOR	R4815	NRSA6AJ-472W	MG RESISTOR		4.7kΩ, 1/16W
	R2307	NRSA6AJ-183W	MG RESISTOR	R4816	NRSA6AJ-105W	MG RESISTOR		1MΩ, 1/16W
	R2308	NRSA6AJ-183W	MG RESISTOR	R4817	NRSA6AJ-472W	MG RESISTOR		4.7kΩ, 1/16W
	R2309	NRSA6AJ-184W	MG RESISTOR	R4818	NRSA6AJ-103W	MG RESISTOR		10kΩ, 1/16W
	R2310	NRSA6AJ-184W	MG RESISTOR	R4819	NRSA6AJ-103W	MG RESISTOR		10kΩ, 1/16W
	R2311	NRSA6AJ-473W	MG RESISTOR	R4820	NRSA6AJ-104W	MG RESISTOR		100kΩ, 1/16W
	R2312	NRSA6AJ-473W	MG RESISTOR	R4821	NRSA6AJ-104W	MG RESISTOR		100kΩ, 1/16W
	R2313	NRSA6AJ-473W	MG RESISTOR	R4822	NRSA6AJ-473W	MG RESISTOR		47kΩ, 1/16W
	R2314	NRSA6AJ-473W	MG RESISTOR	R4823	NRSA6AJ-102W	MG RESISTOR		1kΩ, 1/16W
	R2325	NRSA6AJ-104W	MG RESISTOR	R4824	NRSA6AJ-472W	MG RESISTOR		4.7kΩ, 1/16W
	R2326	NRSA6AJ-104W	MG RESISTOR	R4825	NRSA6AJ-222W	MG RESISTOR		2.2kΩ, 1/16W
	R2327	NRSA6AJ-102W	MG RESISTOR	R4826	NRSA6AJ-473W	MG RESISTOR		47kΩ, 1/16W
	R2328	NRSA6AJ-682W	MG RESISTOR	R4828	NRSA6AJ-183W	MG RESISTOR		18kΩ, 1/16W
	R2402	NRSA6AJ-473W	MG RESISTOR	R4829	NRSA6AJ-122W	MG RESISTOR		1.2kΩ, 1/16W
	R2403	NRSA6AJ-473W	MG RESISTOR	R4830	NRSA6AJ-222W	MG RESISTOR		2.2kΩ, 1/16W
				R4831	NRSA6AJ-473W	MG RESISTOR		47kΩ, 1/16W

#	△ REF No.	PART No.	PART NAME, DESCRIPTION	#	△ REF No.	PART No.	PART NAME, DESCRIPTION
R4832		NRSA6AJ-333W	MG RESISTOR 33kΩ,1/16W	C2306		NCB30JK-105X	CAPACITOR 1μF,6.3V
R4833		NRSA6AJ-104W	MG RESISTOR 100kΩ,1/16W	C2307		NCB30JK-105X	CAPACITOR 1μF,6.3V
R4834		NRSA6AJ-104W	MG RESISTOR 100kΩ,1/16W	C2308		NCB30JK-105X	CAPACITOR 1μF,6.3V
R4836		NRSA6AJ-561W	MG RESISTOR 560Ω,1/16W	C2311		NCBA1AK-104W	CAPACITOR 0.1μF,10V
R4841		NRSA6AJ-103W	MG RESISTOR 10kΩ,1/16W	C2312		NCB30JK-105X	CAPACITOR 1μF,6.3V
R4842		NRSA6AJ-103W	MG RESISTOR 10kΩ,1/16W	C2402		NBLJ0JM-106X	T CAPACITOR 10μF,6.3V
R4848		NRSA6AJ-101W	MG RESISTOR 100Ω,1/16W	C2405		NBE20JM-106X	T CAPACITOR 10μF,6.3V
R4856		NRSA63J-6R8X	MG RESISTOR 6.8Ω,1/16W	C2406		NBE40JM-476X	T CAPACITOR 47μF,6.3V
R4857		NRSA63J-6R8X	MG RESISTOR 6.8Ω,1/16W	C2603		NCBA1AK-333W	CAPACITOR 0.033μF,10V
R4858		NRSA6AJ-333W	MG RESISTOR 33kΩ,1/16W	C2604		NCBA1AK-333W	CAPACITOR 0.033μF,10V
R4862		NRSA63J-6R8X	MG RESISTOR 6.8Ω,1/16W	C2605		NCBA1CK-153W	CAPACITOR 0.015μF,16V
R4863		NRSA63J-6R8X	MG RESISTOR 6.8Ω,1/16W	C2606		NCBA1CK-153W	CAPACITOR 0.015μF,16V
R4864		NRSA6AJ-102W	MG RESISTOR 1kΩ,1/16W	C2607		NBEJ0JM-475X	T CAPACITOR 4.7μF,6.3V
R4865		NRSA6AJ-102W	MG RESISTOR 1kΩ,1/16W	C2608		NBEJ0JM-475X	T CAPACITOR 4.7μF,6.3V
R4866		NRSA6AJ-102W	MG RESISTOR 1kΩ,1/16W	C2609		NCB31CK-273X	CAPACITOR 0.027μF,16V
R4867		NRSA6AJ-102W	MG RESISTOR 1kΩ,1/16W	C2610		NCB31CK-273X	CAPACITOR 0.027μF,16V
R4868		NRSA6AJ-101W	MG RESISTOR 100Ω,1/16W	C2613		NCB31CK-333X	CAPACITOR 0.033μF,16V
R4870		NRSA6AJ-271W	MG RESISTOR 270Ω,1/16W	C2614		NCB31CK-333X	CAPACITOR 0.033μF,16V
R9901		NRSA6AJ-104W	MG RESISTOR 100kΩ,1/16W	C2615		NCBA1HK-332W	CAPACITOR 0.0033μF,50V
R9902		NRSA6AJ-153W	MG RESISTOR 15kΩ,1/16W	C2616		NCBA1HK-332W	CAPACITOR 0.0033μF,50V
R9903		NRSA6AJ-183W	MG RESISTOR 18kΩ,1/16W	C2619		NCBA1HK-152W	CAPACITOR 0.0015μF,50V
R9904		NRSA6AJ-273W	MG RESISTOR 27kΩ,1/16W	C2620		NCBA1HK-152W	CAPACITOR 0.0015μF,50V
C1151		NBE90JM-106X	T CAPACITOR 10μF,6.3V	C2621		NCBA1CK-103W	CAPACITOR 0.01μF,16V
C1152		NCB21EK-683X-R	CAPACITOR 0.068μF,25V	C2622		NCBA1CK-103W	CAPACITOR 0.01μF,16V
C2101		NCB30JK-105X	CAPACITOR 1μF,6.3V	C2623		NCB30JK-105X	CAPACITOR 1μF,6.3V
C2102		NCB30JK-105X	CAPACITOR 1μF,6.3V	C2624		NCB30JK-105X	CAPACITOR 1μF,6.3V
C2103		NCBA1HK-222W	CAPACITOR 0.0022μF,50V	C2625		NCB31CK-104X	CAPACITOR 0.1μF,16V
C2104		NCBA1HK-222W	CAPACITOR 0.0022μF,50V	C2626		NCB31CK-104X	CAPACITOR 0.1μF,16V
C2105		NBEJ0JM-475X	T CAPACITOR 4.7μF,6.3V	C2627		NBE20GM-336X	T CAPACITOR 33μF,4.0V
C2106		NCBA1AK-104W	CAPACITOR 0.1μF,10V	C2630		NCBA1CK-153W	CAPACITOR 0.015μF,16V
C2107		NCBA1AK-104W	CAPACITOR 0.1μF,10V	C2631		NCBA1CK-153W	CAPACITOR 0.015μF,16V
C2108		NBEJ0GM-106X	T CAPACITOR 10μF,4.0V	C2901		NCBA1CK-103W	CAPACITOR 0.01μF,16V
C2151		NCB30JK-105X	CAPACITOR 1μF,6.3V	C2904		NCBA1CK-103W	CAPACITOR 0.01μF,16V
C2152		NCB30JK-105X	CAPACITOR 1μF,6.3V	C4803		NBLJ0JM-106X	T CAPACITOR 10μF,6.3V
C2153		NCBA1HK-222W	CAPACITOR 0.0022μF,50V	C4804		NCFA1AZ-104W	CAPACITOR 0.1μF,10V
C2154		NCBA1HK-222W	CAPACITOR 0.0022μF,50V	C4805		NCFA1AZ-104W	CAPACITOR 0.1μF,10V
C2155		NBEJ0JM-475X	T CAPACITOR 4.7μF,6.3V	C4806		NCFA1AZ-104W	CAPACITOR 0.1μF,10V
C2156		NCBA1AK-104W	CAPACITOR 0.1μF,10V	C4808		NCB30JK-105X	CAPACITOR 1μF,6.3V
C2157		NCBA1AK-104W	CAPACITOR 0.1μF,10V	C4809		NCFA1AZ-104W	CAPACITOR 0.1μF,10V
C2163		NCB30JK-105X	CAPACITOR 1μF,6.3V	C4810		NCFA1HZ-103W	CAPACITOR 0.01μF,50V
C2164		NCB30JK-105X	CAPACITOR 1μF,6.3V	C4811		NCFA1HZ-103W	CAPACITOR 0.01μF,50V
C2201		NCB30JK-105X	CAPACITOR 1μF,6.3V	C4812		NCFA1AZ-104W	CAPACITOR 0.1μF,10V
C2202		NCB30JK-105X	CAPACITOR 1μF,6.3V	C4813		NCFA1AZ-104W	CAPACITOR 0.1μF,10V
C2205		NCBA1AK-104W	CAPACITOR 0.1μF,10V	C4814		NCFA1AZ-104W	CAPACITOR 0.1μF,10V
C2206		NCBA1AK-104W	CAPACITOR 0.1μF,10V	C4815		NCB31HK-152X	CAPACITOR 0.0015μF,50V
C2207		NBLJ0JM-106X	T CAPACITOR 10μF,6.3V	C4819		NCF31CZ-104X	CAPACITOR 0.1μF,16V
C2208		NBLJ0JM-106X	T CAPACITOR 10μF,6.3V	C4851		NBLJ0JM-106X	T CAPACITOR 10μF,6.3V
C2210		NBEJ0JM-475X	T CAPACITOR 4.7μF,6.3V	C4852		NCFA1AZ-104W	CAPACITOR 0.1μF,10V
C2211		NBLJ0JM-106X	T CAPACITOR 10μF,6.3V	C4853		NBLJ1AM-475X	T CAPACITOR 4.7μF,10V
C2212		NCBA1AK-104W	CAPACITOR 0.1μF,10V	C4854		NBE20JM-106X	T CAPACITOR 10μF,6.3V
C2213		NBEE0JM-476X	T CAPACITOR 47μF,6.3V	C4855		NCB31CK-104X	CAPACITOR 0.1μF,16V
C2214		NBLJ0JM-106X	T CAPACITOR 10μF,6.3V	C4858		NDCA1HJ-680W	CAPACITOR 68pF,50V
C2215		NCB31CK-104X	CAPACITOR 0.1μF,16V	C4859		NCBA1AK-473W	CAPACITOR 0.047μF,10V
C2216		NCB31CK-104X	CAPACITOR 0.1μF,16V	C4860		NCBA1AK-473W	CAPACITOR 0.047μF,10V
C2217		NCBA1CK-103W	CAPACITOR 0.01μF,16V	C4861		NCBA1HK-102W	CAPACITOR 0.001μF,50V
C2219		NCB30JK-105X	CAPACITOR 1μF,6.3V	C4862		NCBA1HK-102W	CAPACITOR 0.001μF,50V
C2220		NRSA6AJ-0R0W	MG RESISTOR 0Ω,1/16W	C4864		NBLJ0JM-106X	T CAPACITOR 10μF,6.3V
C2221		NCB30JK-105X	CAPACITOR 1μF,6.3V	C4865		NCBA1AK-104W	CAPACITOR 0.1μF,10V
C2222		NCB30JK-105X	CAPACITOR 1μF,6.3V	L1151		NQR0265-001X	FERRITE BEAD
C2301		NBLJ0JM-106X	T CAPACITOR 10μF,6.3V	L2101		NQL402M-100X	COIL 10μH
C2303		NCB30JK-105X	CAPACITOR 1μF,6.3V	L2402		NQL402M-100X	COIL 10μH
C2304		NCB30JK-105X	CAPACITOR 1μF,6.3V	L2601		NRSA63J-0R0X	MG RESISTOR 0Ω,1/16W
C2305		NCB30JK-105X	CAPACITOR 1μF,6.3V	L2602		NRSA63J-0R0X	MG RESISTOR 0Ω,1/16W

#	△ REF No.	PART No.	PART NAME, DESCRIPTION
L2603		NRSA63J-0R0X	MG RESISTOR 0Ω,1/16W
L2901		NRSA63J-0R0X	MG RESISTOR 0Ω,1/16W
L2902		NRSA63J-0R0X	MG RESISTOR 0Ω,1/16W
L2903		NRSA63J-0R0X	MG RESISTOR 0Ω,1/16W
L2904		NRSA63J-0R0X	MG RESISTOR 0Ω,1/16W
L2905		NRSA63J-0R0X	MG RESISTOR 0Ω,1/16W
L2906		NRSA6AJ-0R0W	MG RESISTOR 0Ω,1/16W
L2907		NRSA63J-0R0X	MG RESISTOR 0Ω,1/16W
L2908		NRSA63J-0R0X	MG RESISTOR 0Ω,1/16W
L2909		NRSA63J-0R0X	MG RESISTOR 0Ω,1/16W
L2910		NRSA63J-0R0X	MG RESISTOR 0Ω,1/16W
L2911		NRSA63J-0R0X	MG RESISTOR 0Ω,1/16W
L4802		NQL302N-100X	COIL 10μH
L4851		NQR0129-002X	FERRITE BEAD
L4852		NQL38DK-100X	COIL 10μH
L4853		NQL38DK-100X	COIL 10μH
SW2001		NSW0133-001X	PUSH SWITCH,VF SW
S9901		NSW0145-001X	TACT SWITCH,BACK LIGHT
S9902		NSW0145-001X	TACT SWITCH,EXPOSURE
S9903		NSW0145-001X	TACT SWITCH,FOCUS
S9904		NSW0099-001X	SLIDE SWITCH,VIDEO/MEMORY
CN201		QGB0405M1-C0X	CONNECTOR
CN202		QGF0517F1-16X	FPC CONNECTOR
CN203		QGA1001F1-04X	CONNECTOR
CN204		QGF0517F2-20X	FPC CONNECTOR
CN205		QGF0517F2-24X	FPC CONNECTOR
OT1		LY43197-001A	SHEET(TARRY)
OT2		LY43161-001A	SHEET(AU-OP PWB)
OT3		LY30029-0L6A	SPACER(A)

BOTTOM BOARD ASSEMBLY <03>

PW1	YB10329A1-01	BOTTOM BOARD ASSY
IC1801	RS-151-X	IC(PHOTO SENSOR)
R1801	NRSA63J-470X	MG RESISTOR 47kΩ,1/16W
R2801	NRSA6AJ-473W	MG RESISTOR 47kΩ,1/16W
R2802	NRSA6AJ-473W	MG RESISTOR 47kΩ,1/16W
R2803	NRSA6AJ-473W	MG RESISTOR 47kΩ,1/16W
R2804	NRSA6AJ-473W	MG RESISTOR 47kΩ,1/16W
R2805	NRSA6AJ-473W	MG RESISTOR 47kΩ,1/16W
R2806	NRSA63J-0R0X	MG RESISTOR 0Ω,1/16W
R2807	NRSA6AJ-473W	MG RESISTOR 47kΩ,1/16W
B301	QAB0040-001	LI BATTERY
C2801	NCB31HK-102X	CAPACITOR 0.001μF,50V
C2802	NCB31HK-102X	CAPACITOR 0.001μF,50V
L2801	NQR0251-004X	FERRITE BEAD
L2802	NQR0251-004X	FERRITE BEAD
L2803	NQR0251-004X	FERRITE BEAD
J301	QNS0078-001	3.5 JACK
CN301	QGB0404L1-50X	CONNECTOR
CN302	LY32206-001A	MULTI.CONNECTOR
CN303	NNZ0055-001X	SD CARD CONNECTOR
OT1	LY30029-0N5A	SPACER(A)
OT2	LY30029-0N5A	SPACER(A)
OT3	LY30029-0N6A	SPACER(A)
OT4	LY43222-001B	S.SHEET(B.PWB)
OT5	LY30017-023A	SPACER-B
OT6	LY30029-0L2A	SPACER(A)
OT7	LY30029-0K4A	SPACER(A)

#	△ REF No.	PART No.	PART NAME, DESCRIPTION

MONITOR BOARD ASSEMBLY <04>

PW	YB20907A-01	MONITOR BOARD ASSY
Q7101	UMD3N	TRANSISTOR
Q7102	2SC4617/RS/-X	TRANSISTOR
Q7103	XP6501	TRANSISTOR
Q7104	XP6501	TRANSISTOR
D7201	UDZ2.7B	ZENER DIODE
R7101	NRSA63D-562X	MG RESISTOR 5.6kΩ,1/16W
R7102	NRSA63D-151X	MG RESISTOR 150Ω,1/16W
R7104	NRSA63D-240X	MG RESISTOR 24Ω,1/16W
R7105	NRSA63D-240X	MG RESISTOR 24Ω,1/16W
R7108	NRSA63J-0R0X	MG RESISTOR 0Ω,1/16W
R7201	NRSA63J-103X	MG RESISTOR 10kΩ,1/16W
C7101	NCB21CK-104X	CAPACITOR 0.1μF,16V
C7102	NCB21CK-104X	CAPACITOR 0.1μF,16V
C7201	NCB21CK-104X	CAPACITOR 0.1μF,16V
C7202	NCB21CK-105X	CAPACITOR 1μF,16V
C7203	NCB21CK-105X	CAPACITOR 1μF,16V
C7205	NBE81AM-106X	T CAPACITOR 10μF,10V
CN401	QGF0304F1-33X	FFC/FPC CONNECTOR
CN402	QGF0517F1-24X	FPC CONNECTOR

CCD BOARD ASSEMBLY <05>

PW	YB20906A-01	CCD BOARD ASSY
Q5001	2SC3931/CD/-X	TRANSISTOR
Q5002	2SC4081/RS/-X	TRANSISTOR
R5001	NRSA63J-472X	MG RESISTOR 4.7kΩ,1/16W
R5002	NRSA63J-0R0X	MG RESISTOR 0Ω,1/16W
R5003	NRSA63J-104X	MG RESISTOR 100kΩ,1/16W
R5005	NRSA63J-103X	MG RESISTOR 10kΩ,1/16W
C5001	NCB31CK-104X	CAPACITOR 0.1μF,16V
C5002	NBP41DM-106X	T CAPACITOR 10μF,20V
C5003	NCB31CK-104X	CAPACITOR 0.1μF,16V
C5004	NBE21AM-106X	T CAPACITOR 10μF,10V
C5005	NCB31CK-104X	CAPACITOR 0.1μF,16V
C5006	NCB21EK-104X	CAPACITOR 0.1μF,25V
C5007	NCB31HK-222X	CAPACITOR 0.0022μF,50V
C5011	NCB21CK-105X	CAPACITOR 1μF,16V

EJECT BOARD ASSEMBLY <06>

PW2	YB10329A2	EJECT BOARD ASSY
S1	NSW0095-001X	DETECT SWITCH,EJECT SW
WR1	WJM0209-001A	E-SI C WIRE C-F,EJECT PWB-MAIN CN108